

10

9

8

7

6

5

4

3

2

1

F

F

E

E

D

D

C

C

B

B

A

A

10

9

8

7

6

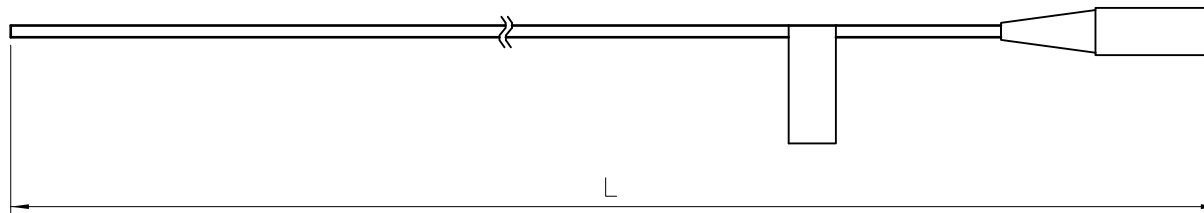
5

4

3

2

1



STITOK pre SINGLEMODE

(nazov zakaznika)	mesiac/rok
	RL > 45 dB
SN: XXXXXX	IL < 0.35 dB

STITOK pre MULTIMODE

(nazov zakaznika)	mesiac/rok
	IL < 0.35 dB
SN: XXXXXX	

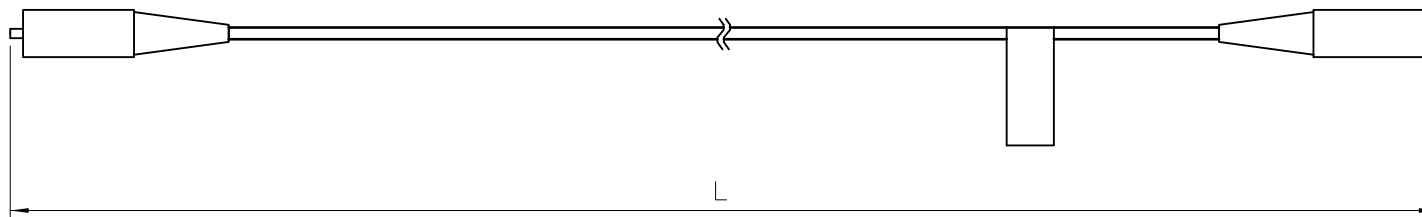
LABEL for SINGLMODE

(customer name)	month/year
	RL > 45 dB
SN: XXXXXX	IL < 0.35 dB

LABEL for MULTIMODE

(customer name)	month/year
	IL < 0.35 dB
SN: XXXXXX	

REVISION	SCALE X:XXX	DRAWN, DATE: M. Golias 2003/10/07	TITLE: SXPT	
	DIMENSIONS IN MM (UNLESS SPECIFIED)	CHECKED, DATE: M. Kadlec		
NAME: DATE: SIGNATURE: A	APPROVED, DATE: M. Huserikova		SYLEX s.r.o.	
	NAME OF CAD FILE: 1-S-0004_1_A.mi	PRODUCT NUMBER:	DRAWING NUMBER: 1-S-0004_1_A	SHEET No: 1 of 1
THIS DRAWING CONTAINS INFORMATION THAT IS PROPERTY OF SYLEX s.r.o AND SHOULD NOT BE USED WITHOUT WRITTEN PERMISSION				SIZE A3



STITOK pre SINGLEMODE

(nazov zakaznika)	mesiac/rok
	RL > 45 dB
SN: XXXXXX	IL < 0.35 dB

STITOK pre MULTIMODE


(nazov zakaznika)	mesiac/rok
	IL < 0.35 dB
SN: XXXXXX	

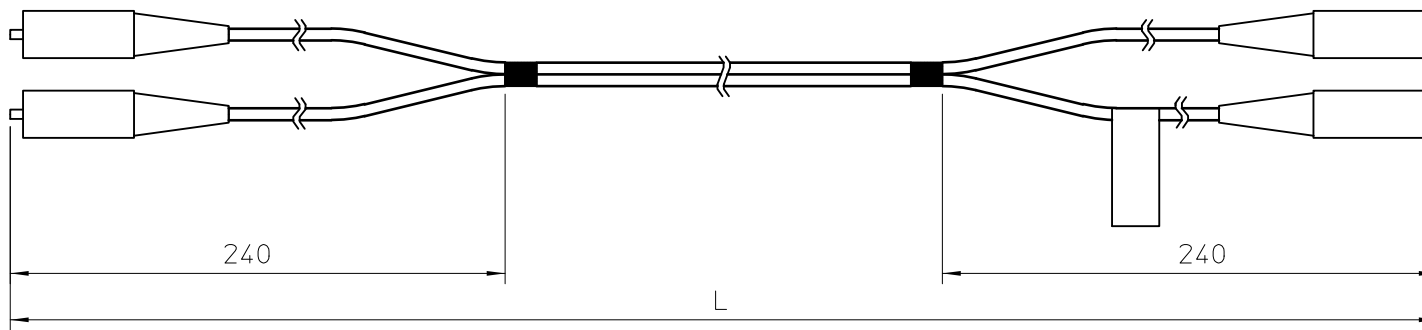
LABEL for SINGLMODE

(customer name)	month/year
	RL > 45 dB
SN: XXXXXX	IL < 0.35 dB

LABEL for MULTIMODE

(customer name)	month/year
	IL < 0.35 dB
SN: XXXXXX	

REVISION NAME: DATE: SIGNATURE:	SCALE X:XXX	DRAWN, DATE: M. Golias 2003/10/07	TITLE: SXJP	
	DIMENSIONS IN MM (UNLESS SPECIFIED)	CHECKED, DATE: M. Kadlec		
			APPROVED, DATE: M. Huserikova	 SYLEX s.r.o.
A	NAME OF CAD FILE: 1-S-0005_1_A.mi	PRODUCT NUMBER:	DRAWING NUMBER: 1-S-0005_1_A	SHEET No: 1 of 1
THIS DRAWING CONTAINS INFORMATION THAT IS PROPERTY OF SYLEX s.r.o AND SHOULD NOT BE USED WITHOUT WRITTEN PERMISSION				SIZE A3



STITOK pre SINGLEMODE

(nazov zakaznika)	mesiac/rok
SN: XXXXXX	RL > 45 dB IL < 0.35 dB

STITOK pre MULTIMODE

(nazov zakaznika)	mesiac/rok
SN: XXXXXX	IL < 0.35 dB

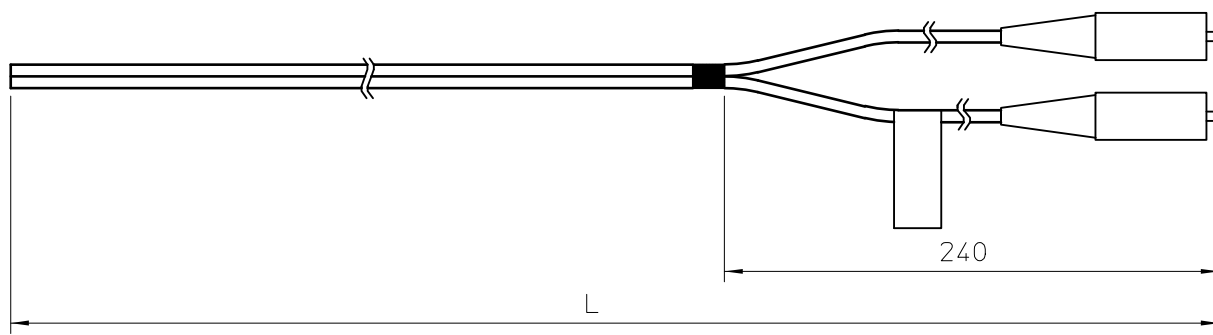
LABEL for SINGLMODE

(customer name)	month/year
SN: XXXXXX	RL > 45 dB IL < 0.35 dB

LABEL for MULTIMODE

(customer name)	month/year
SN: XXXXXX	IL < 0.35 dB

REVISION A	SCALE X:XXX	DRAWN, DATE: M. Golias 2003/10/07	TITLE: DXJP	
	DIMENSIONS IN MM (UNLESS SPECIFIED)	CHECKED, DATE: M. Kadlec	APPROVED, DATE: M. Huserikova	
NAME OF CAD FILE: 1-S-0006_1_A.mi		PRODUCT NUMBER:	DRAWING NUMBER: 1-S-0006_1_A	SHEET No: 1 of 1
THIS DRAWING CONTAINS INFORMATION THAT IS PROPERTY OF SYLEX s.r.o AND SHOULD NOT BE USED WITHOUT WRITTEN PERMISSION				SIZE A3



STITOK pre SINGLEMODE

(nazov zakaznika)	mesiac/rok
SN: XXXXXX	RL > 45 dB IL < 0.35 dB

STITOK pre MULTIMODE

(nazov zakaznika)	mesiac/rok
SN: XXXXXX	IL < 0.35 dB

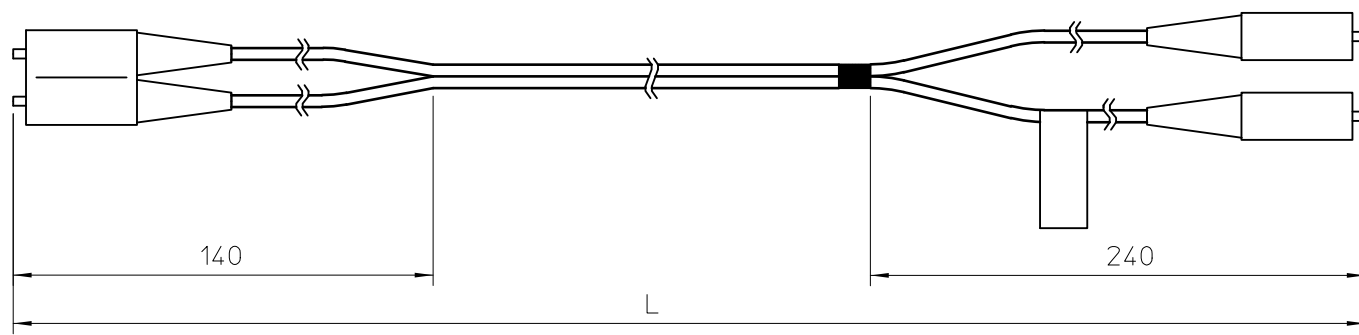
LABEL for SINGLMODE

(customer name)	month/year
SN: XXXXXX	RL > 45 dB IL < 0.35 dB

LABEL for MULTIMODE

(customer name)	month/year
SN: XXXXXX	IL < 0.35 dB

REVISION	SCALE X:XXX	DRAWN, DATE: M. Golias 2005/10/08	TITLE: DXPT	
	DIMENSIONS IN MM (UNLESS SPECIFIED)	CHECKED, DATE: M. Kadlec	APPROVED, DATE: M. Huserikova	
NAME: DATE: SIGNATURE: A	NAME OF CAD FILE: 1-S-0007_1_A.mi	PRODUCT NUMBER:	DRAWING NUMBER: 1-S-0007_1_A	SHEET No: 1 of 1
THIS DRAWING CONTAINS INFORMATION THAT IS PROPERTY OF SYLEX s.r.o AND SHOULD NOT BE USED WITHOUT WRITTEN PERMISSION				SIZE A3



STITOK pre SINGLEMODE  
 (nazov zakaznika) mesiac/rok  
 SN: XXXXXX RL > 45 dB  
 IL < 0.35 dB

STITOK pre MULTIMODE  
 (nazov zakaznika) mesiac/rok  
 SN: XXXXXX IL < 0.35 dB

LABEL for SINGLMODE  
 (customer name) month/year  
 SN: XXXXXX RL > 45 dB  
 IL < 0.35 dB

LABEL for MULTIMODE  
 (customer name) month/year  
 SN: XXXXXX IL < 0.35 dB

REVISION	SCALE X:XXX	DRAWN, DATE: M. Golias 2003/10/07	TITLE: DXJP	
	DIMENSIONS IN MM (UNLESS SPECIFIED)	CHECKED, DATE: M. Kadlec	APPROVED, DATE: M. Huserikova	
NAME: DATE: SIGNATURE: A	NAME OF CAD FILE: 1-S-0008_1_A.mi	PRODUCT NUMBER:	DRAWING NUMBER: 1-S-0008_1_A	SHEET No: 1 of 1
THIS DRAWING CONTAINS INFORMATION THAT IS PROPERTY OF SYLEX s.r.o AND SHOULD NOT BE USED WITHOUT WRITTEN PERMISSION				SIZE A3

10

9

8

7

6

5

4

3

2

1

F

F

E

E

D

D

C

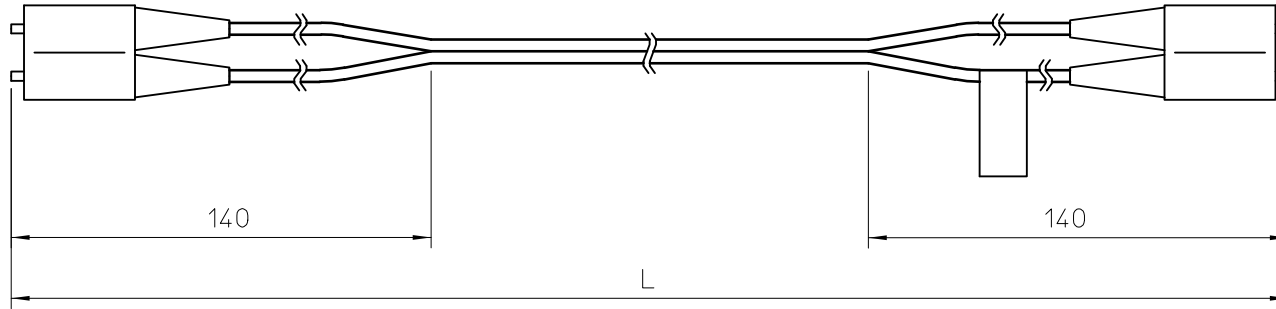
C

B

B

A

A



STITOK pre SINGLEMODE

(nazov zakaznika)	mesiac/rok
SN: XXXXXX	RL > 45 dB IL < 0.35 dB

STITOK pre MULTIMODE

(nazov zakaznika)	mesiac/rok
SN: XXXXXX	IL < 0.35 dB

LABEL for SINGLMODE

(customer name)	month/year
SN: XXXXXX	RL > 45 dB IL < 0.35 dB

LABEL for MULTIMODE

(customer name)	month/year
SN: XXXXXX	IL < 0.35 dB

REVISION	SCALE X:XXX	DRAWN, DATE: M. Golias 2003/10/07	TITLE: DXJP
	DIMENSIONS IN MM (UNLESS SPECIFIED)	CHECKED, DATE: M. Kadlec	APPROVED, DATE: M. Huserikova
NAME: DATE: SIGNATURE:	NAME OF CAD FILE: 1-S-0009_1_A.mi	PRODUCT NUMBER:	SYLEX SYLEX s.r.o.
A	THIS DRAWING CONTAINS INFORMATION THAT IS PROPERTY OF SYLEX s.r.o AND SHOULD NOT BE USED WITHOUT WRITTEN PERMISSION		DRAWING NUMBER: 1-S-0009_1_A
			SHEET No: 1 of 1
			SIZE A3

F

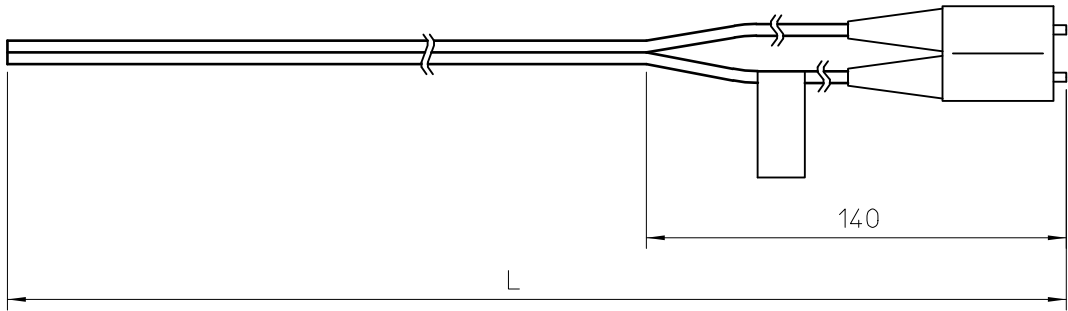
E

D

C

B

A



STITOK pre SINGLEMODE  
 (nazov zakaznika) mesiac/rok  
 SN: XXXXXX RL > 45 dB  
 IL < 0.35 dB

STITOK pre MULTIMODE  
 (nazov zakaznika) mesiac/rok  
 SN: XXXXXX IL < 0.35 dB

LABEL for SINGLMODE  
 (customer name) month/year  
 SN: XXXXXX RL > 45 dB  
 IL < 0.35 dB

LABEL for MULTIMODE  
 (customer name) month/year  
 SN: XXXXXX IL < 0.35 dB

REVISION	SCALE X:XXX	DRAWN, DATE: M. Golias 2003/10/07	TITLE: DXPT	
	DIMENSIONS IN MM (UNLESS SPECIFIED)	CHECKED, DATE: M. Kadlec		
NAME: DATE: SIGNATURE:	APPROVED, DATE: M. Huserikova		SYLEX s.r.o.	
	NAME OF CAD FILE: 1-S-0010_1_A.cad	PRODUCT NUMBER:	DRAWING NUMBER: 1-S-0010_1_A	SHEET No: 1 of 1
A	THIS DRAWING CONTAINS INFORMATION THAT IS PROPERTY OF SYLEX s.r.o AND SHOULD NOT BE USED WITHOUT WRITTEN PERMISSION			SIZE A3

F

E

D

C

B

A