

10

9

8

7

6

5

4

3

2

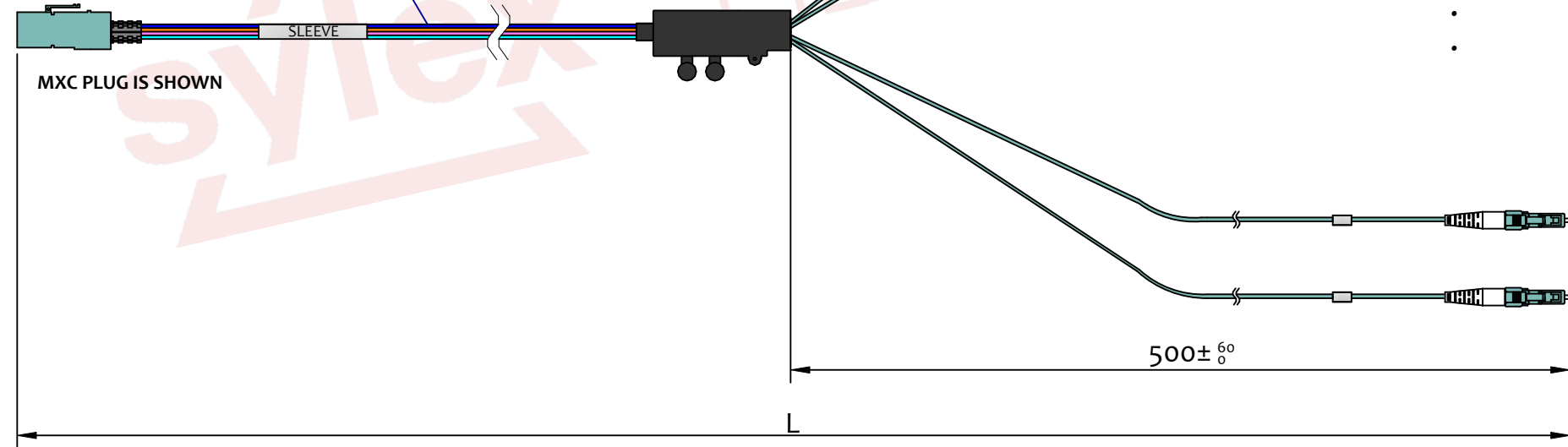
1

SIDE A

SIDE B

| MXC | LC |
|-----|----|
| 1 | 1 |
| 2 | 2 |
| 3 | 3 |
| 4 | 4 |
| 5 | 5 |
| 6 | 6 |
| 7 | 7 |
| 8 | 8 |
| 9 | 9 |
| 10 | 10 |
| 11 | 11 |
| 12 | 12 |
| 13 | 13 |
| 14 | 14 |
| 15 | 15 |
| 16 | 16 |

[CABLE DATASHEET \(peelable\)](#)
[CABLE DATASHEET \(non-peelable\)](#)



NOTES :

- 1 - DUST CAPS ARE INCLUDED, BUT NOT SHOWN
- 2 - MXC: OM3, OM4 - IL<0.6dB , 850nm (CONNECTOR VALUE)
 RL>25dB , 850nm (GUARANTEED VALUE)
 LC: OM3, OM4 - IL<0.25dB , 850nm (CONNECTOR VALUE)
 RL>30dB , 850nm (GUARANTEED VALUE)
 IL CONNECTOR VALUE ACCORDING IEC 61300-3-4 method B
- 3 - CUMULATIVE TEST REPORT OF MEASURED IL, RL VALUES SENT ON DEMAND IN ELECTRONIC FORM
- 4 - ASSEMBLY PACKED IN SEALED PE BAG
 BULK PACK IN OUTER CARDBOARD BOX
- 5 - TRACEBILITY LABEL ON THE CABLE CONTAINS SERIAL NUMBER AND ASSEMBLY LENGTH

| ASSEMBLY LENGTH | TOLERANCE |
|-----------------|----------------|
| 0-1.00m | +0.08 -0.00 |
| +1.01m | +0.11 -0.00 |

ORDERING CODE

B16X-LX4-xxx-1

- 1** RIBBON PEELABLE
 - xxx** cable length [001 = 1m, 0015 = 1.5m]
 - 4** 2,0mm LC CONNECTOR
 - 1** MXC RECEPTACLE, **V** PRIZM MT
 - Q** MXC PLUG, **Y** MXC PLUG PROTRUDED
 - L** LC/PC *
 - 3** OM3, **4** OM4
 - 16** 16F
 - B** On-Board Optics
- * OTHER CONNECTOR TYPES ON REQUEST

| | | | | |
|--|---|---|---|-----------------------------------|
| REVISION-DATE: A - 17.03.2020 CHANGE: New drawing | DRAWN BY, DATE: M.Ruzbarsky 2020/03/17 | TITLE: 01x MXC - 16x LC/PC 16F RIBBON FANOUT | | |
| REVISION-DATE: CHANGE: | CHECKED BY, DATE: Matus/Smelh. 2020/03/17 | APPROVED BY, DATE: L.Miskerik 2020/03/17 | PRODUCT SPECIFICATION: - | DIMENSIONS IN MM UNLESS SPECIFIED |
| REVISION-DATE: CHANGE: | PRODUCT NUMBER: B16X-LX4-xxx-1 | DRAWING NUMBER: 1-W-8047_1_A | SCALE: NO SCALE | SHEET NO. 1 of 1 |
| | | | THIS DRAWING CONTAINS INFORMATION THAT IS PROPRIETARY TO SYLEX s.r.o AND ANY USE WITHOUT PRIOR WRITTEN PERMISSION IS PROHIBITED | |
| A | | | SIZE A3 | |

10

9

8

7

6

5

4

3

2

1