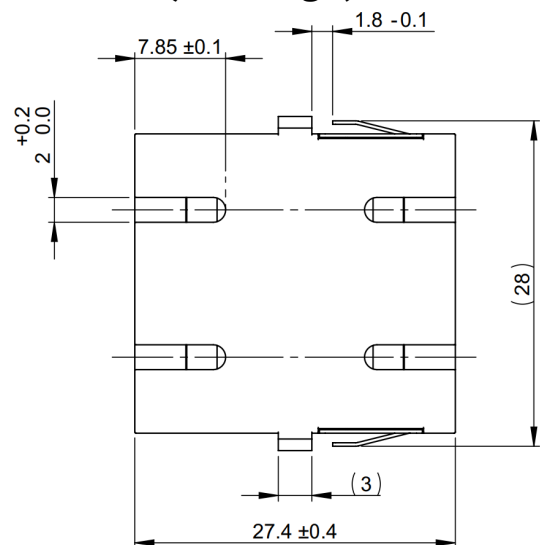
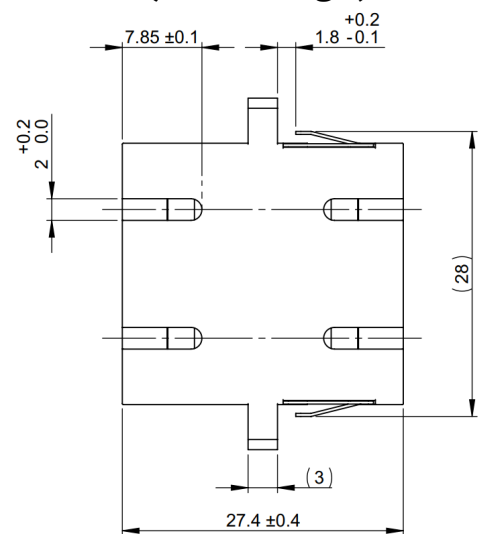


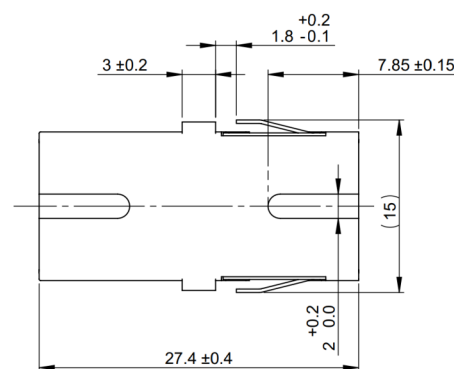
### SC DUPLEX ADAPTER (no flange)



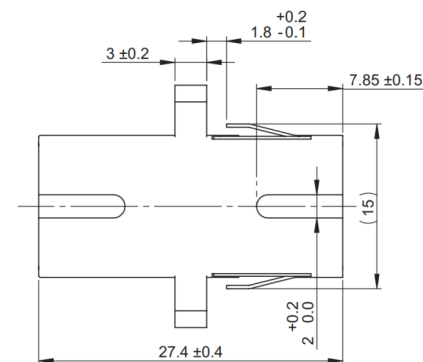
### SC DUPLEX ADAPTER (with flange)



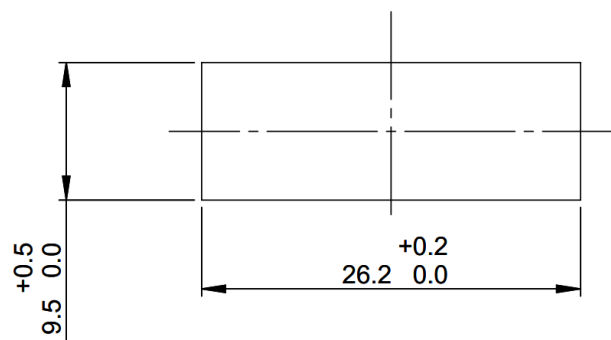
### SC SIMPLEX ADAPTER (no flange)



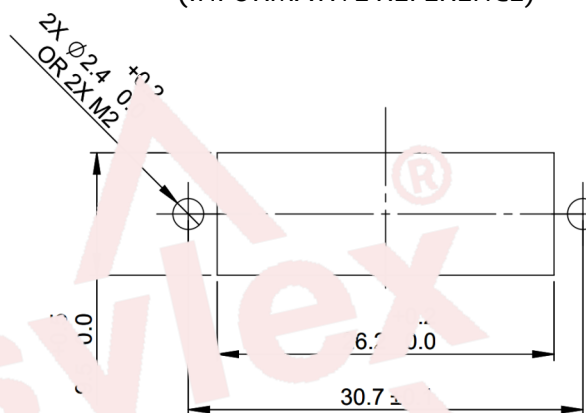
### SC SIMPLEX ADAPTER (with flange)



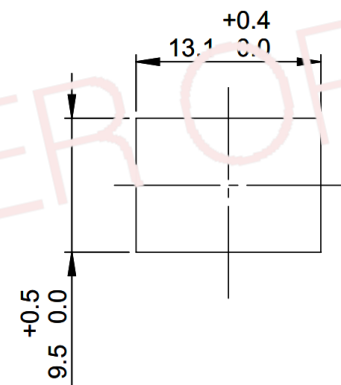
#### MOUNTING HOLE DIMENSIONS (INFORMATIVE REFERENCE)



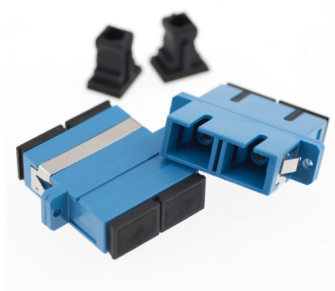
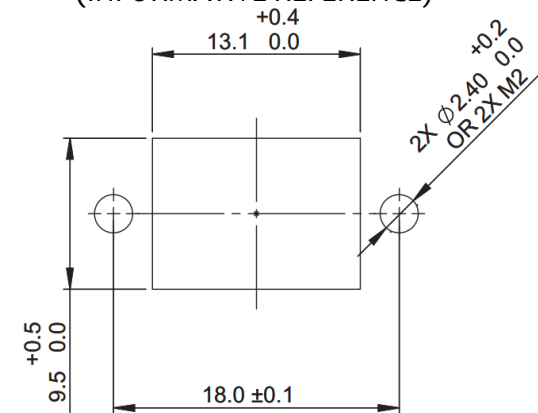
#### MOUNTING HOLE DIMENSIONS (INFORMATIVE REFERENCE)



#### MOUNTING HOLE DIMENSIONS (INFORMATIVE REFERENCE)



#### MOUNTING HOLE DIMENSIONS (INFORMATIVE REFERENCE)



#### ORDERING CODE

**AXSC-XXX-NXX**

**E** external shutter, **N** no external shutter  
**W** w FLANGE, **O** w/o FLANGE

**AQ** AQUA, **GR** GREEN, **BE** BEIGE,  
**MA** MAGENTA, **BU** BLUE \*

**SC** SC

**S** SIMPEX, **D** DUPLEX

**A** ADAPTER

\* OTHER TYPES ON REQUEST

REVISION-DATE: A - 04.06.2019	CHANGE:	DRAWN BY, DATE: M.Ruzbarsky 2019/06/04	TITLE: <b>SC ADAPTERS</b>		
New drawing		CHECKED BY, DATE: Pavlov/Matúš			
REVISION-DATE:	CHANGE:	APPROVED BY, DATE: I.Brestovanská	PRODUCT SPECIFICATION: -	DIMENSIONS IN MM UNLESS SPECIFIED	SCALE: NO SCALE
REVISION-DATE: X - DD.MM.YYYY	CHANGE:	PRODUCT NUMBER: <b>AXSC-XXX-NXX</b>	DRAWING NUMBER: 1-S-7382_1_A	SHEET NO. 1 of 1	
			THIS DRAWING CONTAINS INFORMATION THAT IS PROPRIETARY TO SYLEX s.r.o AND ANY USE WITHOUT PRIOR WRITTEN PERMISSION IS PROHIBITED		
<b>A</b>			SIZE <b>A3</b>		