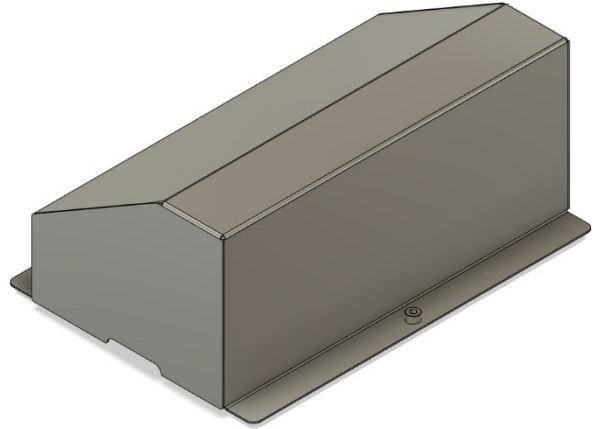


OPC-04 Outdoor Protective Cover for SAT-01 tilt meter

General information

- ▲ Great outdoor protection against direct rain, water splashes, direct sunlight, animals, ...
- ▲ Temperature and UV resitive
- ▲ Several mounting alternatives (chemical installation or bolts)
- ▲ Robust, reliable, and lightweight concept.



Basic characteristics

- ▲ Metallic or white color
- ▲ Stainless steel 1.4301
- ▲ Minamalist dimmensions
- ▲ IP 66 or IP 67¹⁾ protection
- ▲ Wide temperature range -20 to +70°C
- ▲ Inner insulation: none
- ▲ Cable isolation: the cable entry/exit points are open to allow water to escape the inner space of the cover. Additional isolation material can be added to the cover to increase the IP protection of the solution

Physical properties

Material	1.4301
Protection grade	IP 33 / IP 66 ¹⁾
Dimensions (L x W x H)	115 x 155 x 40mm
Compatible sensors	SAT-01
Weight	920g

¹⁾ Additional materials such as “silicone” sealant are required to achieve the best performance.

Packaging

Typically integrated into the sensor packaging / Included in the sensor’s cardboard box

Quality statement

All products are 100% tested and calibrated at SYLEX
 All products are manufactured according to ISO 9001:2015 and ISO 14001:2015

OPC-04 Outdoor Protective Cover for SAT-01 tilt meter

Installation remarks

The OPC-04 is possible to be installed above the sensor using bolts, as shown in Figure 1, and either by using 2x bolts or any suitable adhesive, that will ensure reliable connection of the cover to the surface. We recommend using standard metric bolts with the size of M5 for the installation.

Figure 1 shows the position of the mounting holes on the OPC-04 cover, and the position of the entry/exit points of the cable. The cover features internal insulating foam that is not shown in this picture.

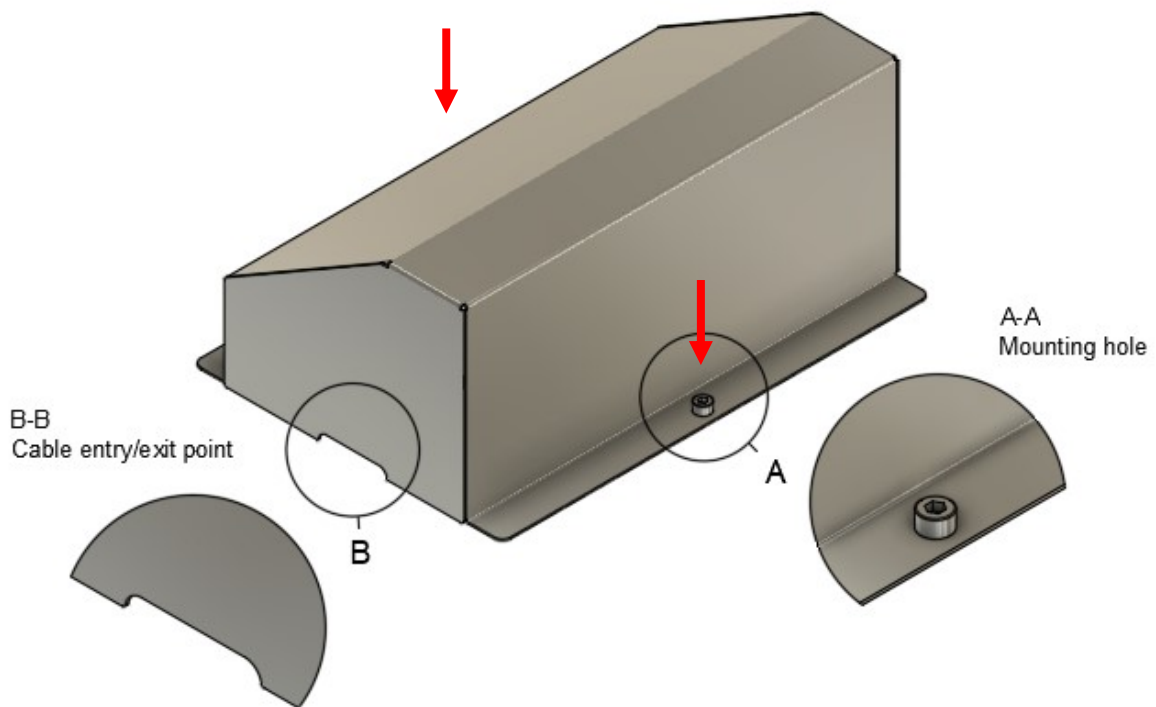


Figure 1: Installation possibilities of the OPC-04 protection cover.

For more information contact our sales team at sales@sylex.sk

* Specifications are subject to change without notice