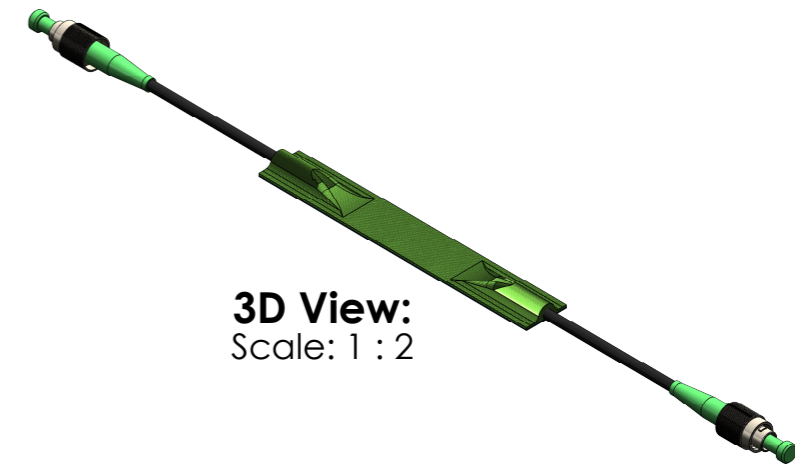
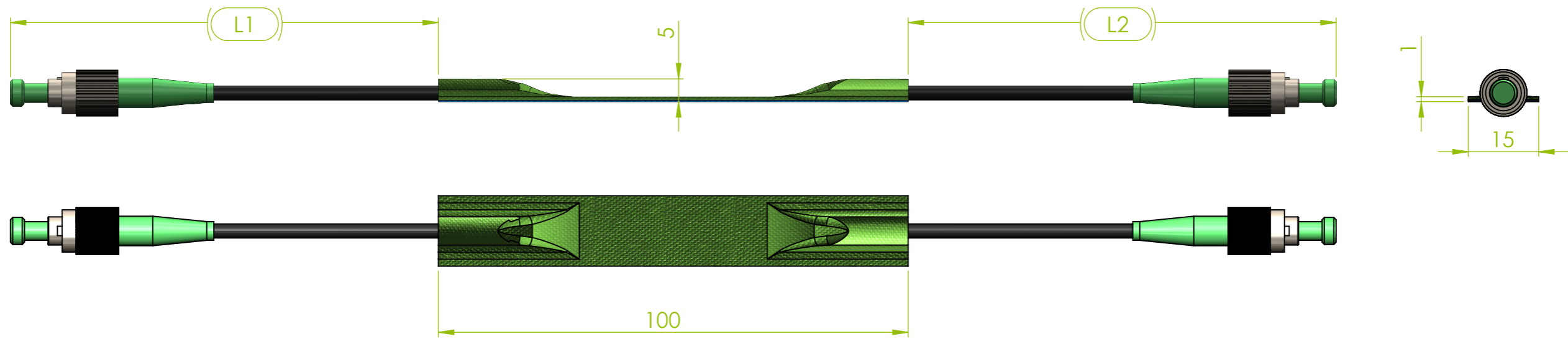


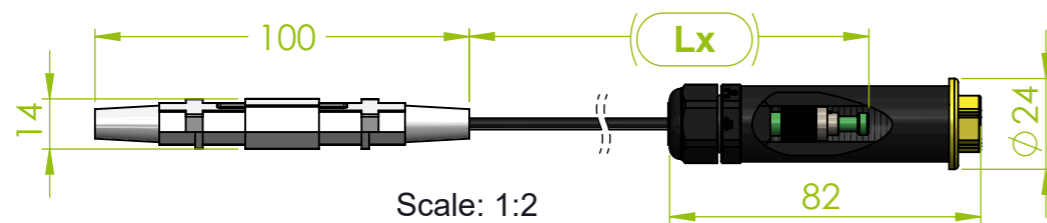
Standard version:



3D View:  
Scale: 1 : 2

Optional accessories:

- LCP-03 Longer Dyneema cable pigtail with 1x WSP-02 (Watertight Splice Protection) and with 1x WCP-01 Watertight Connector Protection 1x FC/APC IP67:



Parameter	Length	Tolerance
L1	1000 mm (standard)	±50 mm
L2	1000 mm (standard)	±50 mm
Lx	Optional: Custom-Defined Length	±xx mm

TITLE: DSP-01 Dielectric Strain Patch			
REVISION: <b>A</b>	SCALE: 1:1	DRAWN BY, DATE: Branislav Pikus 04.12.2023	
	STATUS: In Work	CHECKED BY, DATE: 04.12.2023	
	DIMENSIONS IN MM (UNLESS SPECIFIED)	APPROVED BY, DATE: 04.12.2023	
NAME OF CAD FILE: DSP-01	PRODUCT NUMBER: F-DSP-001-xxx-xxx/xx/xxxx	DRAWING NUMBER: DSP-01	SHEET No: 1 of 1
THIS DRAWING CONTAINS INFORMATION THAT IS PROPERTY OF SYLEX s.r.o AND SHOULD NOT BE USED WITHOUT WRITTEN PERMISSION			SIZE A3