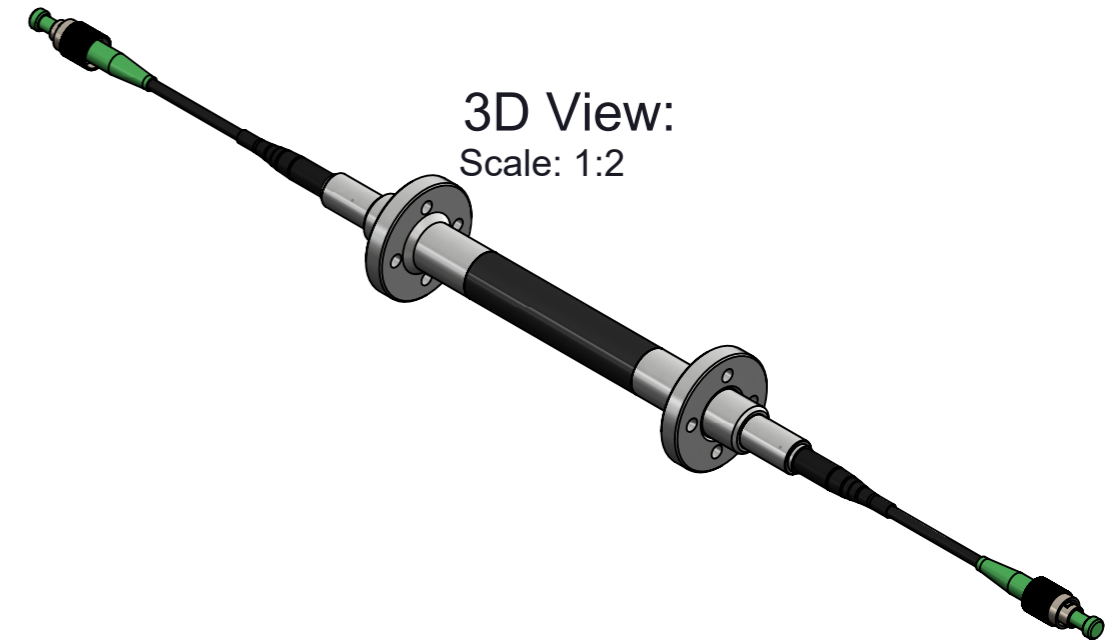
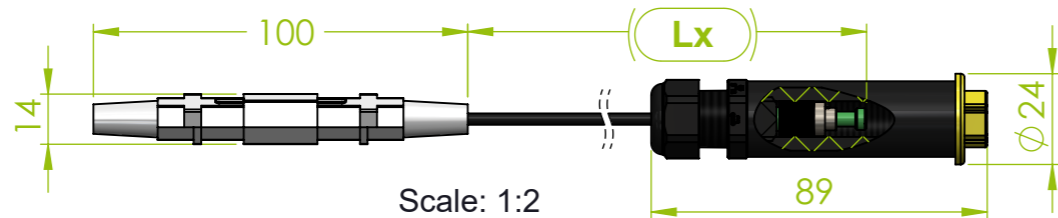


Standard version:




Optional accessories:

- LCP-03 Longer Dyneema cable pigtail with 1x WSP-02 (Watertight Splice Protection) and with 1x WCP-01 Watertight Connector Protection 1x FC/APC IP67:



Parameter	Length	Tolerance
L1	1000 mm (standard)	±50 mm
L2	1000 mm (standard)	±50 mm
Lg	110mm	±1 mm
Lx	Optional: Custom-Defined Length	±xx mm

TITLE: ES-03 Embeddable strain sensor			
REVISION: A	SCALE: 1:1	DRAWN BY, DATE: Branislav Pikus 11.06.2021	
	STATUS: In Work	CHECKED BY, DATE: Branislav Pikus 04.03.2021	
	DIMENSIONS IN MM (UNLESS SPECIFIED)	APPROVED BY, DATE: Tomáš Salát 04.03.2021	
NAME OF CAD FILE: ES-03 WEB	PRODUCT NUMBER: F-ESX-003-xxx-xxx/xx/xxxx	DRAWING NUMBER: ES-03 WEB	SHEET No: 1 of 1
THIS DRAWING CONTAINS INFORMATION THAT IS PROPERTY OF SYLEX s.r.o AND SHOULD NOT BE USED WITHOUT WRITTEN PERMISSION			SIZE A3