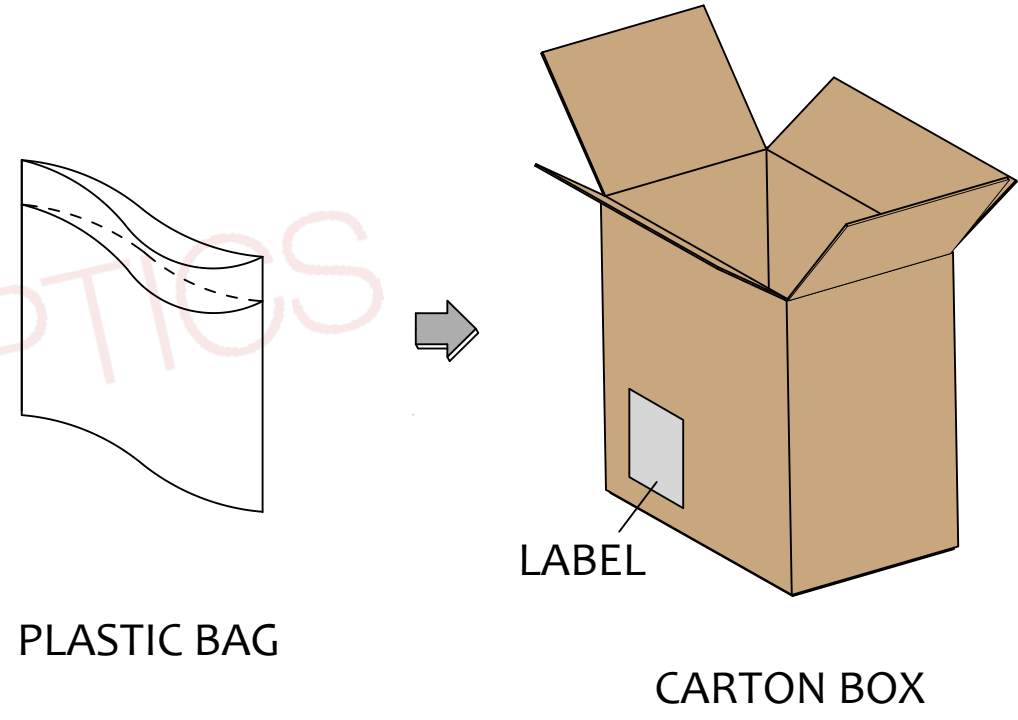
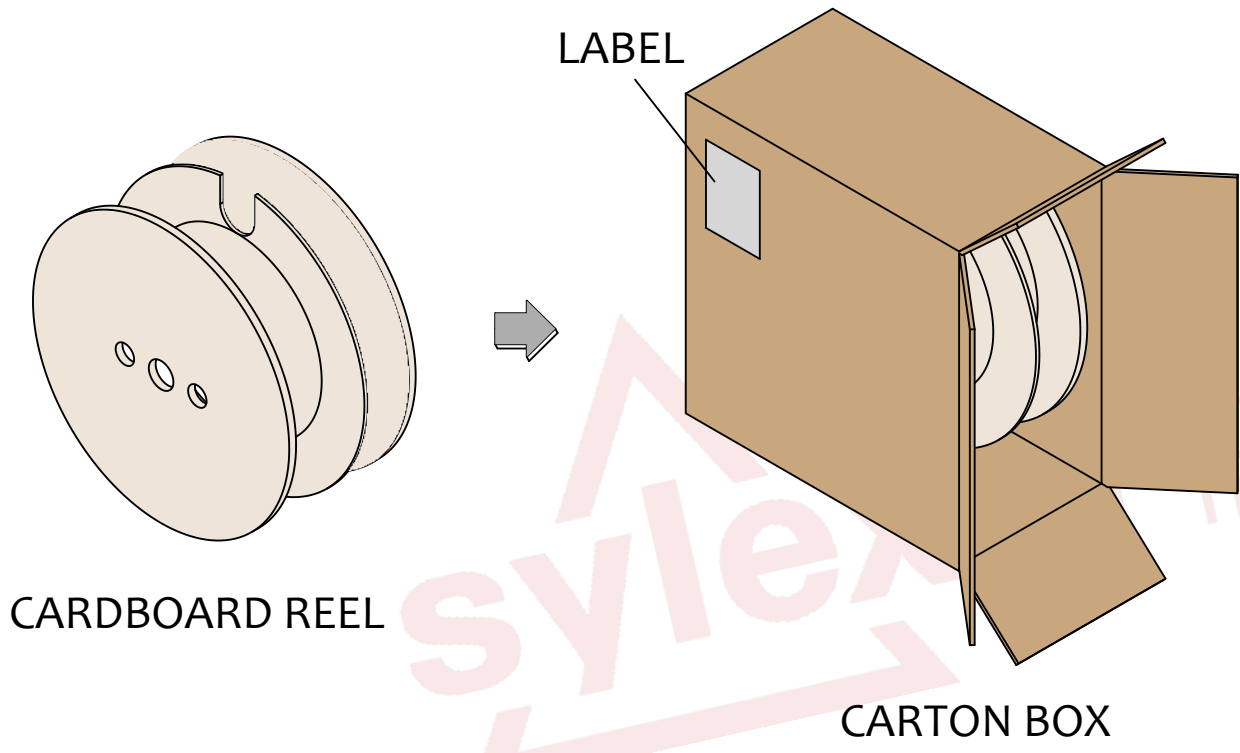


PACKAGING FOR ASSEMBLIES WITH LENGTH FROM 50m

PACKAGING FOR ASSEMBLIES WITH LENGTH 0-49.9m



NOTES:

- 1. SIZE OF PLASTIC BAG AND SIZE OF CARTON DEPENDS ON THE CABLE CONSTRUCTION AND ASSEMBLY LENGTH

REVISION-DATE: A - 26.05.2014	CHANGE:	DRAWN BY, DATE: M.Ruzbarsky 2014/05/26	TITLE: PACKAGING SPECIFICATION	
New drawing		CHECKED BY, DATE: E.Koza -	PRODUCT SPECIFICATION: -	DIMENSIONS IN MM UNLESS SPECIFIED
REVISION-DATE: X - DD.MM.YYYY	CHANGE:	APPROVED BY, DATE: I.Golian -	DRAWING NUMBER: 1-S-0011_1_A	SCALE: NO SCALE
XXXX		PRODUCT NUMBER: X-XXX-XXX-XXX-XXX/XX/XXXX	SHEET NO. 1 of 1	
REVISION-DATE: X - DD.MM.YYYY	CHANGE:	THIS DRAWING CONTAINS INFORMATION THAT IS PROPRIETARY TO SYLEX s.r.o AND SHOULD NOT BE USED WITHOUT WRITTEN PERMISSION		SIZE A3
XXXX				