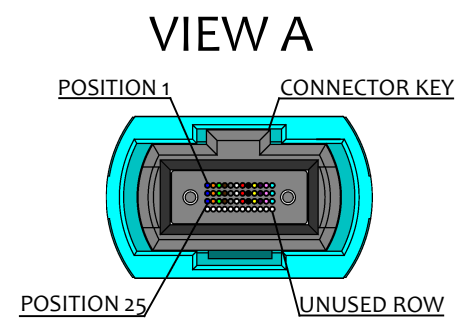
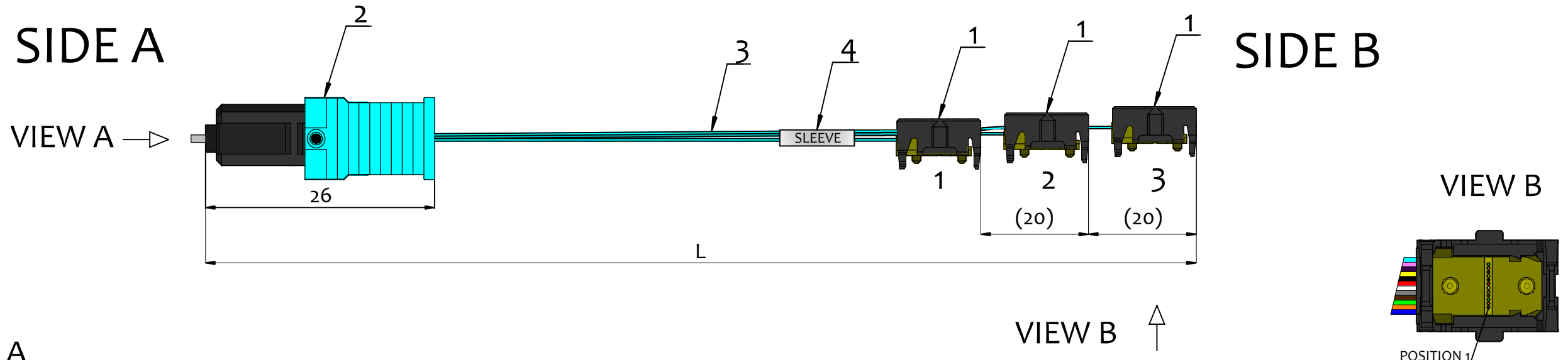
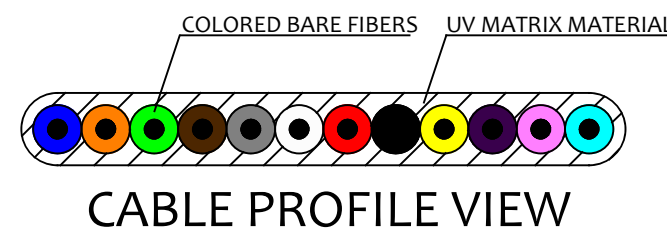


PRODUCT NUMBER :	L[m]	PRIZM LT IL	MTP IL	PRODUCT	
		at 850 nm			
1-500-610-360-680/E1/XXXX	$L \pm 0.00XX$	2.0 dB	0.6 dB	3xPRIZM LT-MTP(female) 36-fiber	Standard housing
1-500-620-360-680/E2/XXXX	$L \pm 0.00XX$	2.0 dB	0.6 dB	3xPRIZM LT-MTP(male) 36-fiber	
1-500-610-360-680/E3/XXXX	$L \pm 0.00XX$	2.0 dB	0.6 dB	3xPRIZM LT reduced height-MTP(female) 36-fiber	Reduced height
1-500-620-360-680/E4/XXXX	$L \pm 0.00XX$	2.0 dB	0.6 dB	3xPRIZM LT reduced height-MTP(male) 36-fiber	
1-520-610-360-680/E1/XXXX	$L \pm 0.00XX$	2.0 dB	0.6 dB	3xPRIZM LT low profile-MTP(female) 36-fiber	Low profile housing
1-520-620-360-680/E2/XXXX	$L \pm 0.00XX$	2.0 dB	0.6 dB	3xPRIZM LT low profile-MTP(male) 36-fiber	

XXXX IN THE PN REPRESENTS LENGTH OF ASSEMBLY AND VARIES FOR EACH LENGTH

LENGTH TOLERANCE	
Length interval(m)	Tolerance(m)
0 - 1,000	+ 0,003 - 0
+1,001	+ 0,01 - 0

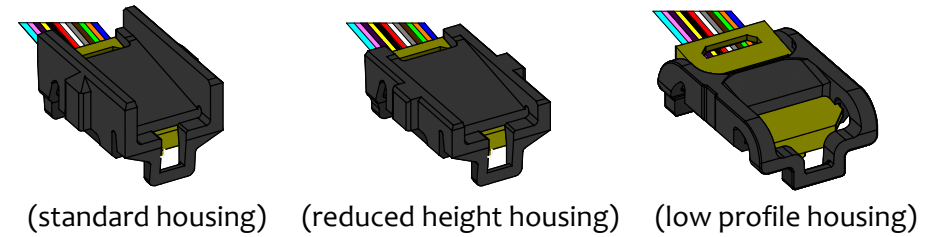


VN-035
MARKING SLEEVE(POS. 4)

SN: XXXXX	month/year
www.sylex.sk	

CONNECTION				
SIDE A	FIBER COLOUR	SIDE B1	SIDE B2	SIDE B3
1,13,25	BLUE	1	1	1
2,14,26	ORANGE	2	2	2
3,15,27	GREEN	3	3	3
4,16,28	BROWN	4	4	4
5,17,29	GREY	5	5	5
6,18,30	WHITE	6	6	6
7,19,31	RED	7	7	7
8,20,32	BLACK	8	8	8
9,21,33	YELLOW	9	9	9
10,22,34	PURPLE	10	10	10
11,23,35	PINK	11	11	11
12,24,36	AQUA	12	12	12

PRIZM LT 3D DETAIL



BOM		
NO:	DESCRIPTION	QTY:
1	PRIZM LT CONNECTOR	3
2	MTP CONNECTOR,48F	1
3	BARE RIBBON OM3 12F, Non-Peelable	3xL
4	MARKING SLEEVE 25mm	1

NOTES:

- DUST CAPS ARE INCLUDED BUT NOT SHOWN
- ASSEMBLY PACKED ACCORDING TO PACKAGING SPECIFICATION: 1-B-1531
- CUMULATIVE TEST REPORT SYX-CTRT-01 OF MEASURED IL (MTP,PRIZM LT) AND RL (MTP) VALUES SENT ON DEMAND IN ELECTRONIC FORM
- VISUAL ASPECT OF MTP CONNECTOR CHECK ACCORDING TO IEC 61300-3-35. END FACE GEOMETRY ACCORDING TO TELCORDIA GR-1435
- MTP MALE CONNECTOR IS SHOWN
MTP FEMALE CONNECTOR IS WITHOUT GUIDING PINS
- SYLEX-SX-O LABEL ON PRODUCT PACKAGING AND OUTER CARDBOARD BOX

REVISION-DATE: A - 28.01.2013	CHANGE:	DRAWN BY, DATE: M.Ruzbarsky 28.01.2013	TITLE: 3xPRIZM LT-MTP 36F short OM3 bare ribbon assembly		
New drawing		CHECKED BY, DATE: E.Koza 04.02.2013			
REVISION-DATE: B - 01.08.2014	CHANGE:	APPROVED BY, DATE: I.Golian 04.02.2013	PRODUCT SPECIFICATION: ID: 429	DIMENSIONS IN MM UNLESS SPECIFIED	SCALE: NO SCALE
Added information		PRODUCT NUMBER: 1-5x0-6x0-360-680/Ex/XXXX	DRAWING NUMBER: 1-5-1874_1_C	SHEET NO. 1 of 1	
REVISION-DATE: C - 24.09.2015	CHANGE:	THIS DRAWING CONTAINS INFORMATION THAT IS PROPRIETARY TO SYLEX s.r.o AND SHOULD NOT BE USED WITHOUT WRITTEN PERMISSION			SIZE A3
Length tolerance has changed					