

10

9

8

7

6

5

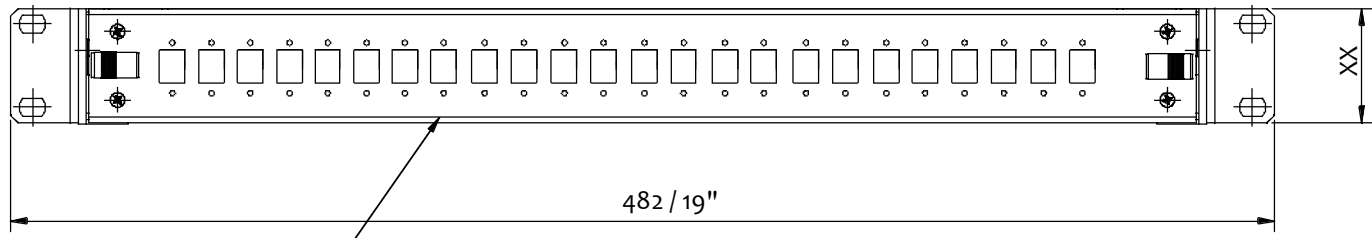
4

3

2

1

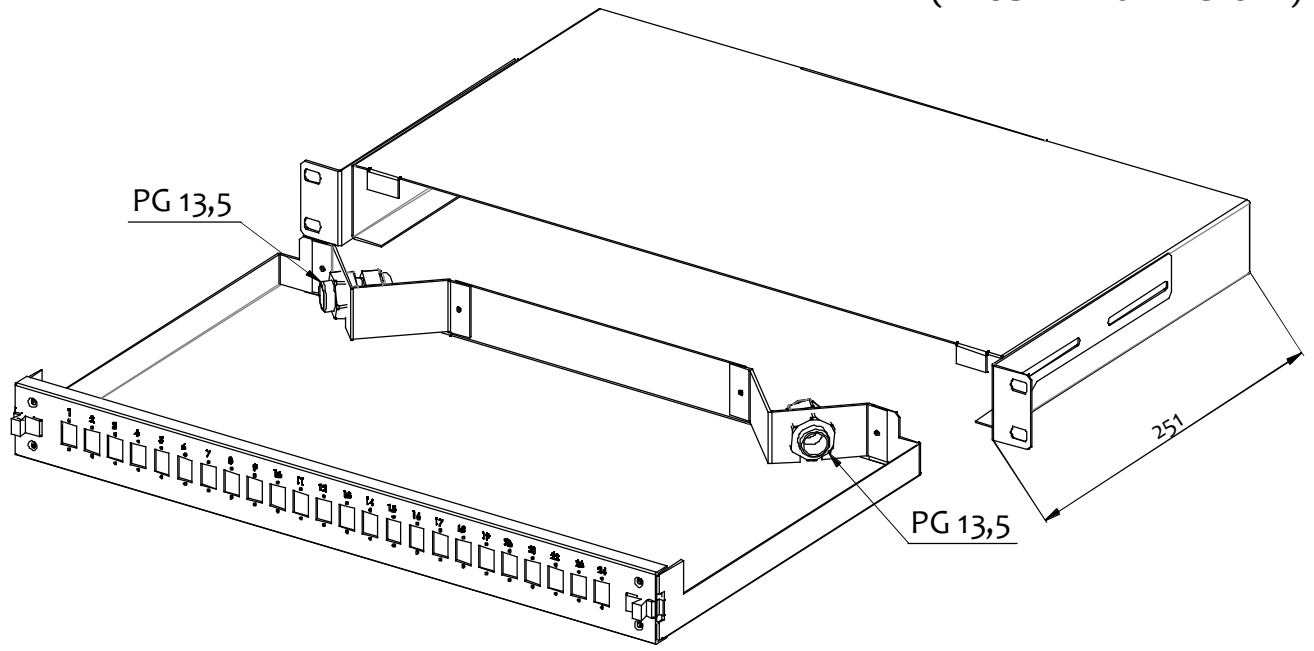
FRONT VIEW 1U AND 2U



XX - for Patchpanel 1U - 44mm
 XX - for Patchpanel 2U - 88mm

VARIOUS TYPE OF FRONT PANLES AVAILABLE

ODF BOX ISOMETRIC VIEW (ILLUSTRATION PICTURE)



REVISION-DATE: A - 06.03.2014	CHANGE: - created a new drawing	DRAWN BY, DATE: J.Špilár 2014/03/06	TITLE: PATCHPANEL 1U AND 2U (metal chassis)		
REVISION-DATE: X - DD.MM.YYYY	CHANGE: XXX	CHECKED BY, DATE: E.Koza 2014/03/07	APPROVED BY, DATE: I.Golian 2014/03/07	PRODUCT SPECIFICATION:	DIMENSIONS IN MM UNLESS SPECIFIED
REVISION-DATE: X - DD.MM.YYYY	CHANGE: XXX	PRODUCT NUMBER: B-000-000-000-001/00/xxxx	DRAWING NUMBER: 1-S-2987_1_A	SHEET NO. 1 of 1	SCALE: NO SCALE
			THIS DRAWING CONTAINS INFORMATION THAT IS PROPRIETARY TO SYLEX s.r.o AND SHOULD NOT BE USED WITHOUT WRITTEN PERMISSION		
A			SIZE A3		

10

9

8

7

6

5

4

3

2

1

F
E
D
C
B
A

F
E
D
C
B
A