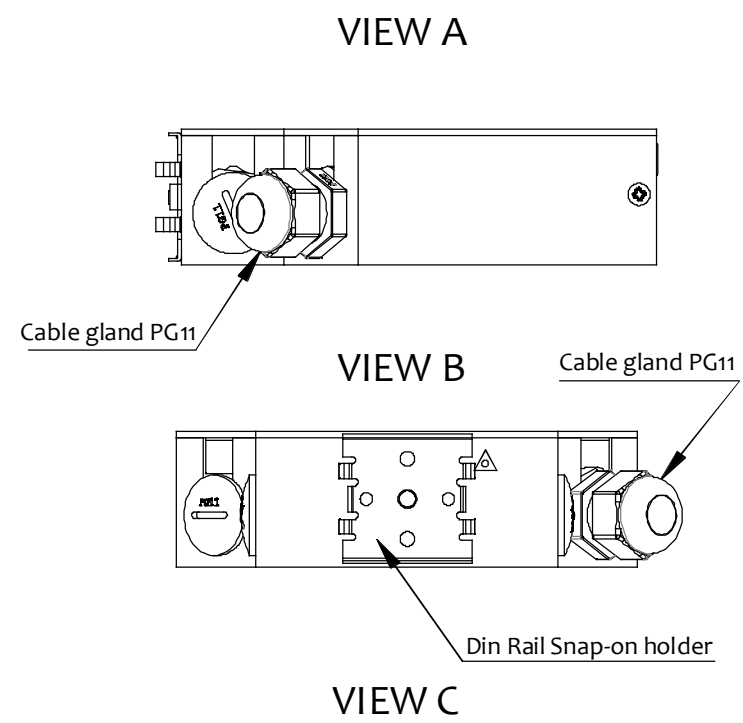
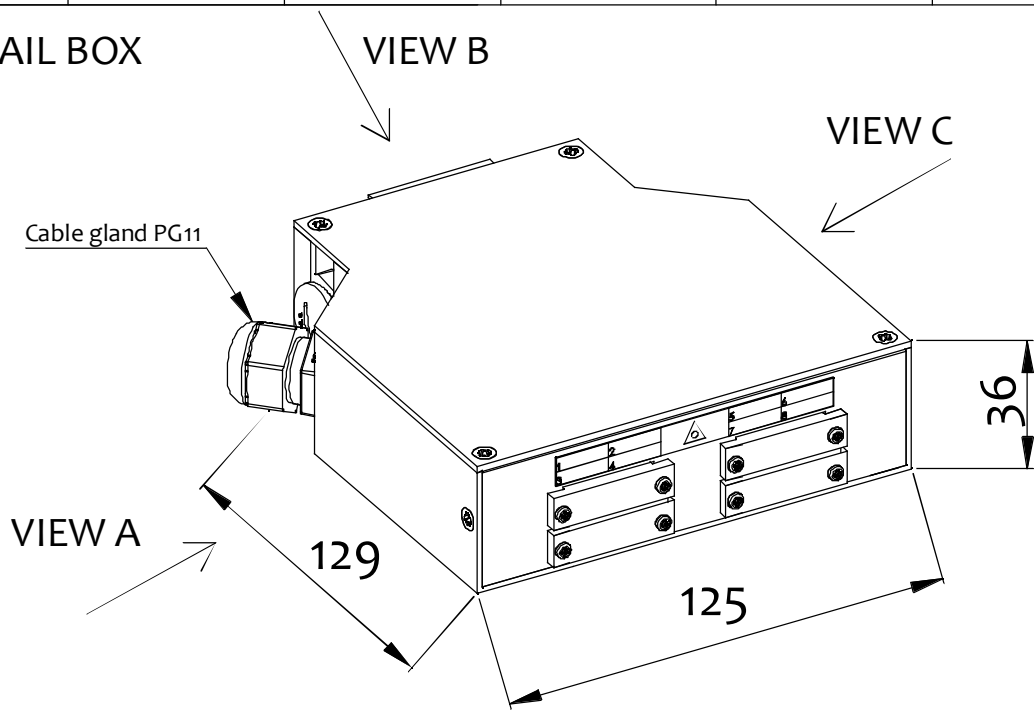
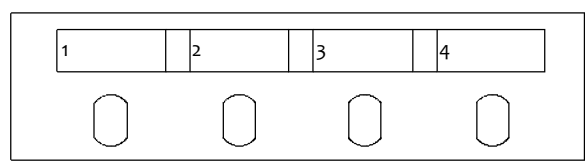


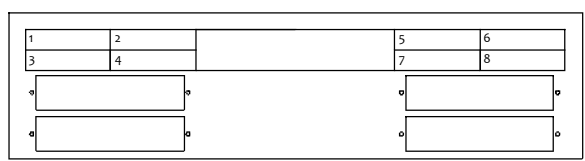
# DIN RAIL BOX



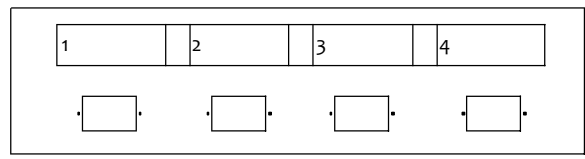
## VARIOUS TYPES OF FRONT PANELS AVAILABLE



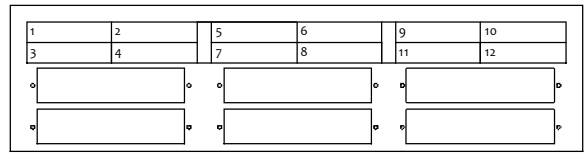
4x ST / FC adapter



4x SCD / STD adapter  
4x LC QUAD adapter



4x SC / LCD adapter



6x SCD / STD adapter  
6x LC QUAD adapter

REVISION-DATE: A - 19.06.2014	CHANGE:	DRAWN BY, DATE: J.Špilár 2014/06/19	TITLE: <b>DIN RAIL BOX</b>		
- zalozeny nový vykres		CHECKED BY, DATE: E.Koza 2014/06/20			
REVISION-DATE: X - DD.MM.YYYY	CHANGE:	APPROVED BY, DATE: I.Golian 2014/06/20	PRODUCT SPECIFICATION: QPN / CRM	DIMENSIONS IN MM UNLESS SPECIFIED	SCALE: NO SCALE
XXX		sylex	PRODUCT NUMBER:	DRAWING NUMBER: 1-5-2988_1_A	SHEET NO. 1 of 2
REVISION-DATE: X - DD.MM.YYYY	CHANGE:		XXX	THIS DRAWING CONTAINS INFORMATION THAT IS PROPRIETARY TO SYLEX s.r.o AND SHOULD NOT BE USED WITHOUT WRITTEN PERMISSION	
		A	SIZE A3		