

10

9

8

7

6

5

4

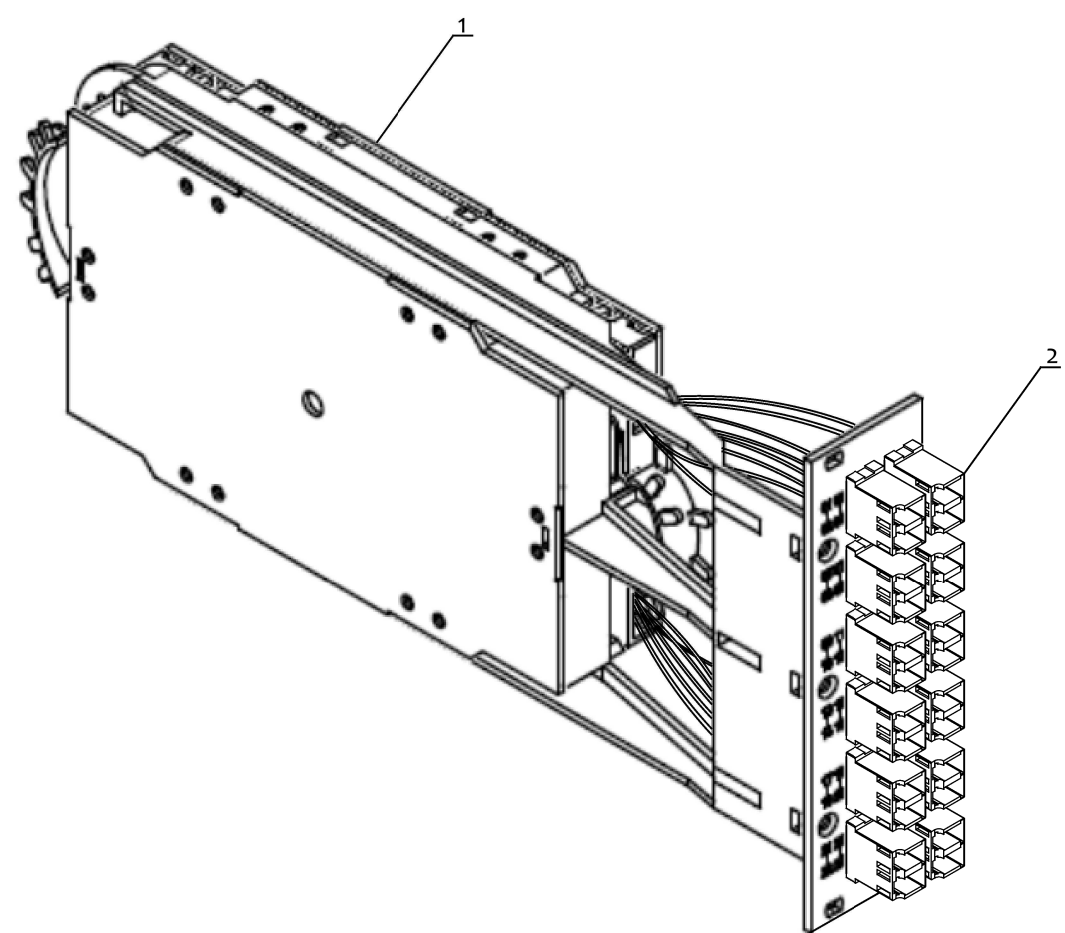
3

2

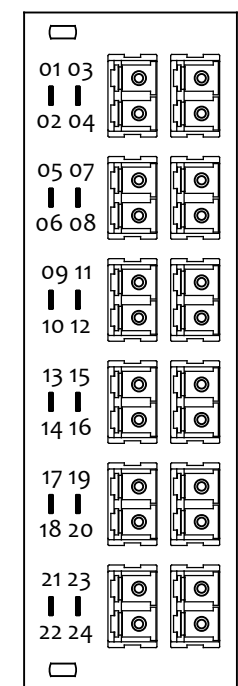
1

CONNECTION TABLE

POSITION IN LCD ADAPTER	COLOUR OF FIBER
1	BLUE
2	ORANGE
3	GREEN
4	BROWN
5	GRAY
6	WHITE
7	RED
8	BLACK
9	YELLOW
10	PURPLE
11	PINK
12	AQUA
13	BLUE
14	ORANGE
15	GREEN
16	BROWN
17	GRAY
18	WHITE
19	RED
20	BLACK
21	YELLOW
22	PURPLE
23	PINK
24	AQUA



FRONT PANEL



ORDERING CODE :	FIBER TYPE	LC DX ADAPTER
W-SXX-1D1-241-XXX/oo/XXXX	OS2	BLUE / UPC
W-SXX-1D2-241-XXX/oo/XXXX	OS2	GREEN / APC
W-SXX-1D4-245-XXX/oo/XXXX	OM3	AQUA / PC
W-SXX-1D6-248-XXX/oo/XXXX	OM4	MAGENTA / PC

BOM		
NO:	DESCRIPTION	QTY
1	Splice module 12x LCD	1
2	LCD adapter	12
3	LC PIGTAIL	24
4	TRACEABILITY LABEL	1

NOTES:

- 1 - DUST CAPS ARE INCLUDED, BUT NOT SHOWN
- 2 - CUMULATIVE TEST REPORT SYX-CTR1-01 OF MEASURED IL AND RL (ONLY OS2 FIBERS) VALUES SENT ON DEMAND IN ELECTRONIC FORM
- 3 - OM3 , OM4 - MEASURED AT 850nm AND 1300nm, IL<0,25dB  
OS2 - MEASURED AT 1310nm AND 1550nm, IL<0,25dB  
DETAILS OF THE OPTICAL PERFORMANCE OF INNER ASSEMBLY ACORDING TO DRAWING 1-S-2990
- 4 - SYLEX-SX-O LABEL ON PRODUCT PACKAGING AND MASTER CARDBOARD BOX

TRACEABILITY LABEL (POS. 4)

month / year

SN : XXXXX / XXXX

REVISION-DATE: A - 05.11.2015	CHANGE:	DRAWN BY, DATE: M.Ruzbarsky 2015/11/05	TITLE: 12xLC DUPLEX SPLICE MODULE FULLY LOADED		
New drawing		CHECKED BY, DATE: Pavlov/Matus 2015/11/05			
REVISION-DATE: X - DD.MM.YYYY	CHANGE:	APPROVED BY, DATE: I.Brestovanska 2015/11/05	PRODUCT SPECIFICATION: ID - 1319	DIMENSIONS IN MM UNLESS SPECIFIED	SCALE: NO SCALE
XXX		PRODUCT NUMBER: W-SXX-1DX-24X-XXX/oo/XXXX	DRAWING NUMBER: 1-S-4148_1_A	SHEET NO. 1 of 1	
REVISION-DATE: X - DD.MM.YYYY	CHANGE:	THIS DRAWING CONTAINS INFORMATION THAT IS PROPRIETARY TO SYLEX s.r.o AND SHOULD NOT BE USED WITHOUT WRITTEN PERMISSION			SIZE A3
XXX					

10

9

8

7

6

5

4

3

2

1