

10

9

8

7

6

5

4

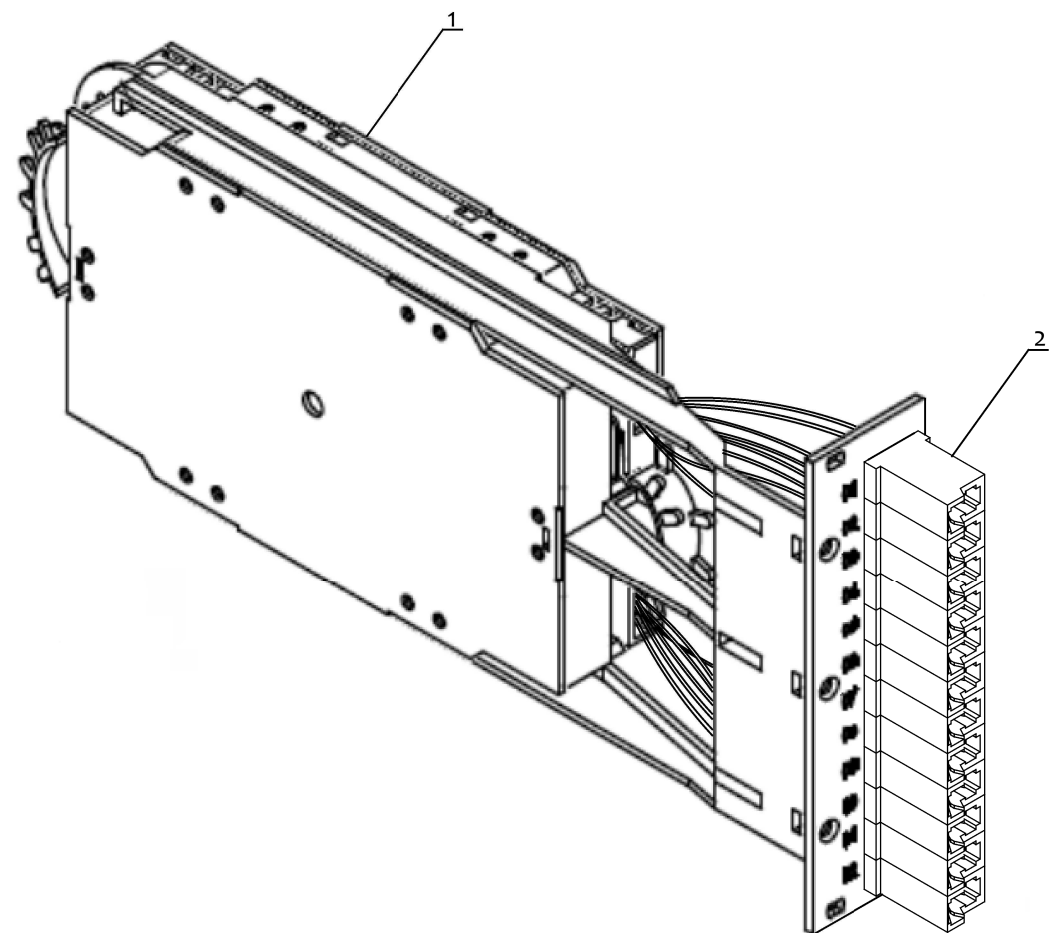
3

2

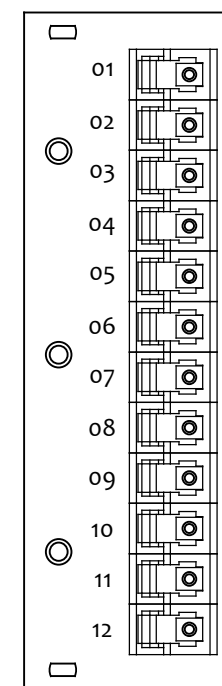
1

CONNECTION TABLE

POSITION IN E2000 ADAPTER	COLOUR OF FIBER
1	BLUE
2	ORANGE
3	GREEN
4	BROWN
5	GRAY
6	WHITE
7	RED
8	BLACK
9	YELLOW
10	PURPLE
11	PINK
12	AQUA



FRONT PANEL



ORDERING CODE :	FIBER TYPE	E2000 SX ADAPTER
W-SXX-3S1-121-XXX/00/XXXX	OS2	BLUE / UPC
W-SXX-3S2-121-XXX/00/XXXX	OS2	GREEN / APC
W-SXX-3S5-125-XXX/00/XXXX	OM3	AQUA / PC
W-SXX-3S5-128-XXX/00/XXXX	OM4	MAGENTA / PC

NOTES:

- 1 - DUST CAPS ARE INCLUDED, BUT NOT SHOWN
- 2 - CUMULATIVE TEST REPORT SYX-CTR1-01 OF MEASURED IL AND RL (ONLY OS2 FIBERS) VALUES SENT ON DEMAND IN ELECTRONIC FORM
- 3 - OM3 , OM4 - MEASURED AT 850nm AND 1300nm, IL<0,25dB
OS2 - MEASURED AT 1310nm AND 1550nm, IL<0,25dB
DETAILS OF THE OPTICAL PERFORMANCE OF INNER ASSEMBLY ACORDING TO DRAWING 1-S-2990
- 4 - SYLEX-SX-O LABEL ON PRODUCT PACKAGING AND MASTER CARDBOARD BOX

TRACEABILITY LABEL (POS. 4)

month / year

SN : XXXXX / XXXX

BOM		
NO:	DESCRIPTION	QTY
1	Splice module 12x E2000	1
2	E2000 adapter	12
3	E2000 PIGTAIL	12
4	TRACEABILITY LABEL	1

REVISION-DATE: A - 05.11.2015	CHANGE:	DRAWN BY, DATE: M.Ruzbarsky 2015/11/05	TITLE: 12xE2000 SIMPLEX SPLICE MODULE FULLY LOADED		
New drawing		CHECKED BY, DATE: Pavlov/Matus 2015/11/05			
REVISION-DATE: X - DD.MM.YYYY	CHANGE:	APPROVED BY, DATE: I.Brestovanska 2015/11/05	PRODUCT SPECIFICATION: ID - 1319	DIMENSIONS IN MM UNLESS SPECIFIED	SCALE: NO SCALE
XXX		PRODUCT NUMBER: W-SXX-3SX-12X-XXX/00/XXXX	DRAWING NUMBER: 1-S-4152_1_A	SHEET NO. 1 of 1	
REVISION-DATE: X - DD.MM.YYYY	CHANGE:	THIS DRAWING CONTAINS INFORMATION THAT IS PROPRIETARY TO SYLEX s.r.o AND SHOULD NOT BE USED WITHOUT WRITTEN PERMISSION			SIZE A3
XXX					

10

9

8

7

6

5

4

3

2

1