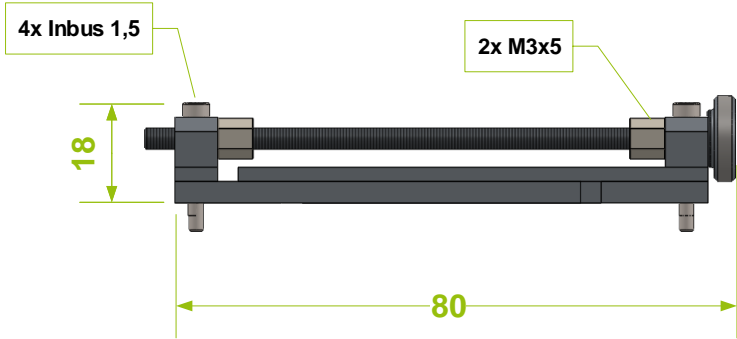
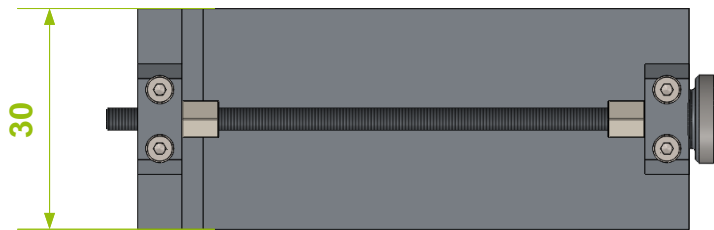


Product dimensions:

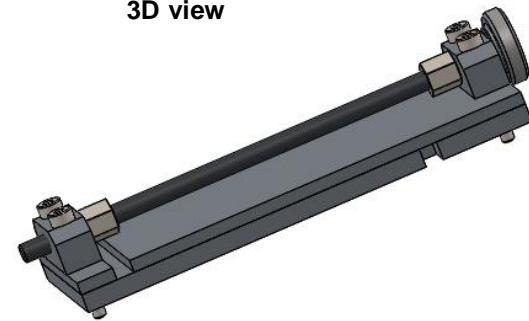
Front view



Top view



3D view



ALL DIMENSIONS IN MM (UNLESS SPECIFIED)

DRAWN DATE : 23.11.2017

VERSION : 01

REVISION : 01

TITLE **PST-01 Pre-strain setup tool for MS-03 sensors**

SHEET **1 OF 1**

SCALE **NONE**

THIS DRAWING CONTAINS INFORMATION THAT IS PROPERTY OF SYLEX s.r.o. AND SHOULD NOT BE USED WITHOUT WRITTEN PERMISSION