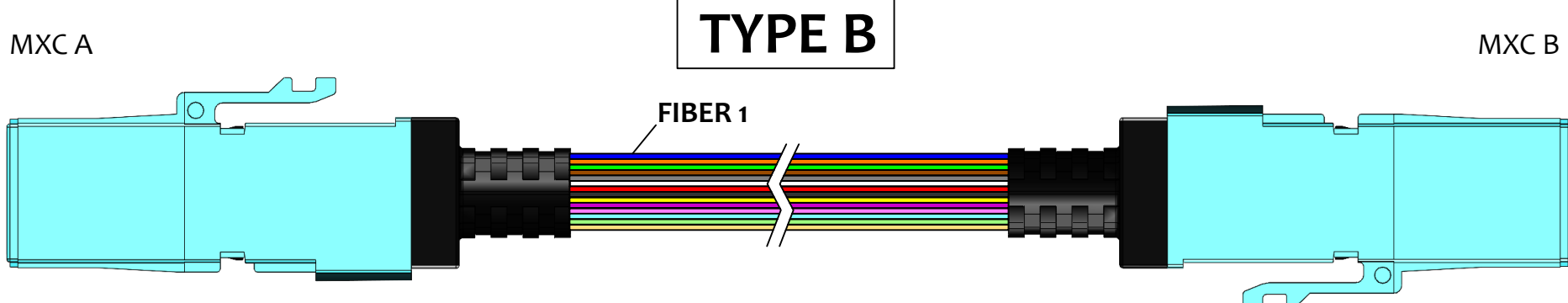
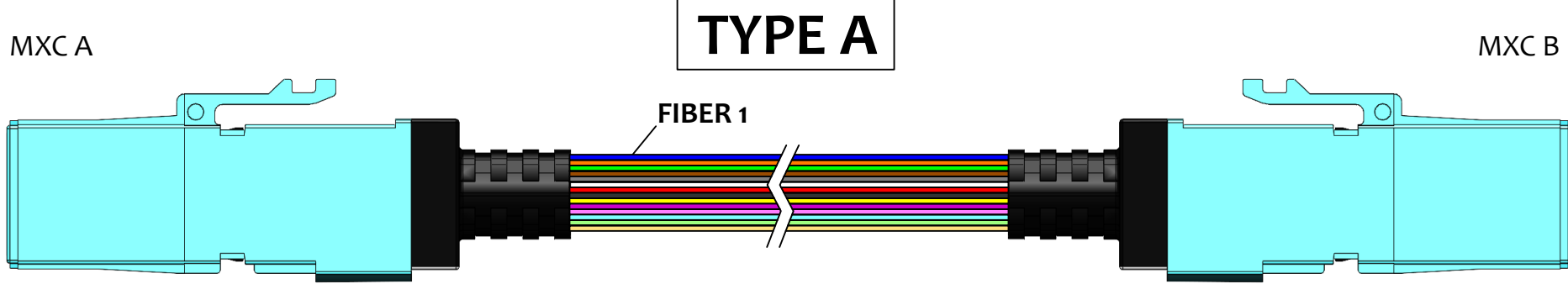


MXC® Plug RECESSED FERRULE - MXC® Plug RECESSED FERRULE

FOR OTHER COMBINATION PLEASE SEE NEXT PAGE

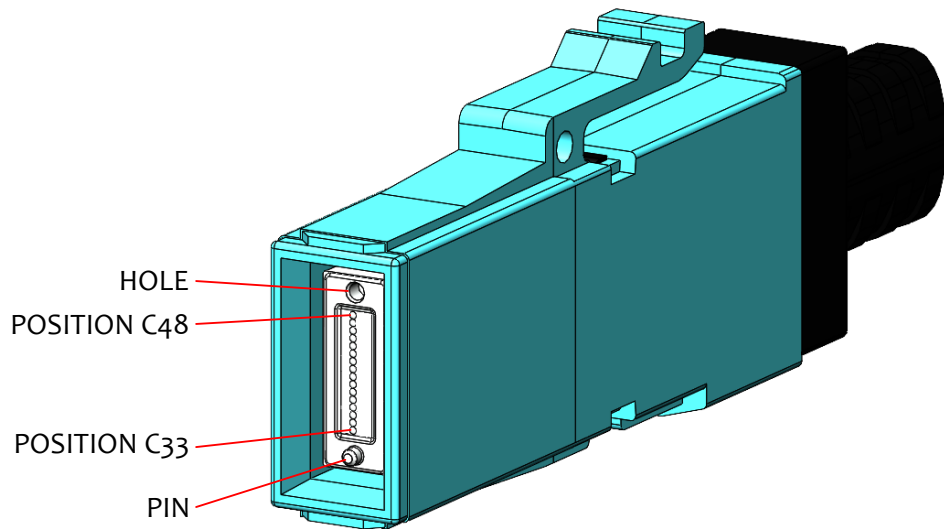


TYPE A

| CONNECTION TABLE | |
|------------------|-------|
| MXC A | MXC B |
| C33 | C33 |
| C34 | C34 |
| C35 | C35 |
| C36 | C36 |
| C37 | C37 |
| C38 | C38 |
| C39 | C39 |
| C40 | C40 |
| C41 | C41 |
| C42 | C42 |
| C43 | C43 |
| C44 | C44 |
| C45 | C45 |
| C46 | C46 |
| C47 | C47 |
| C48 | C48 |

TYPE B

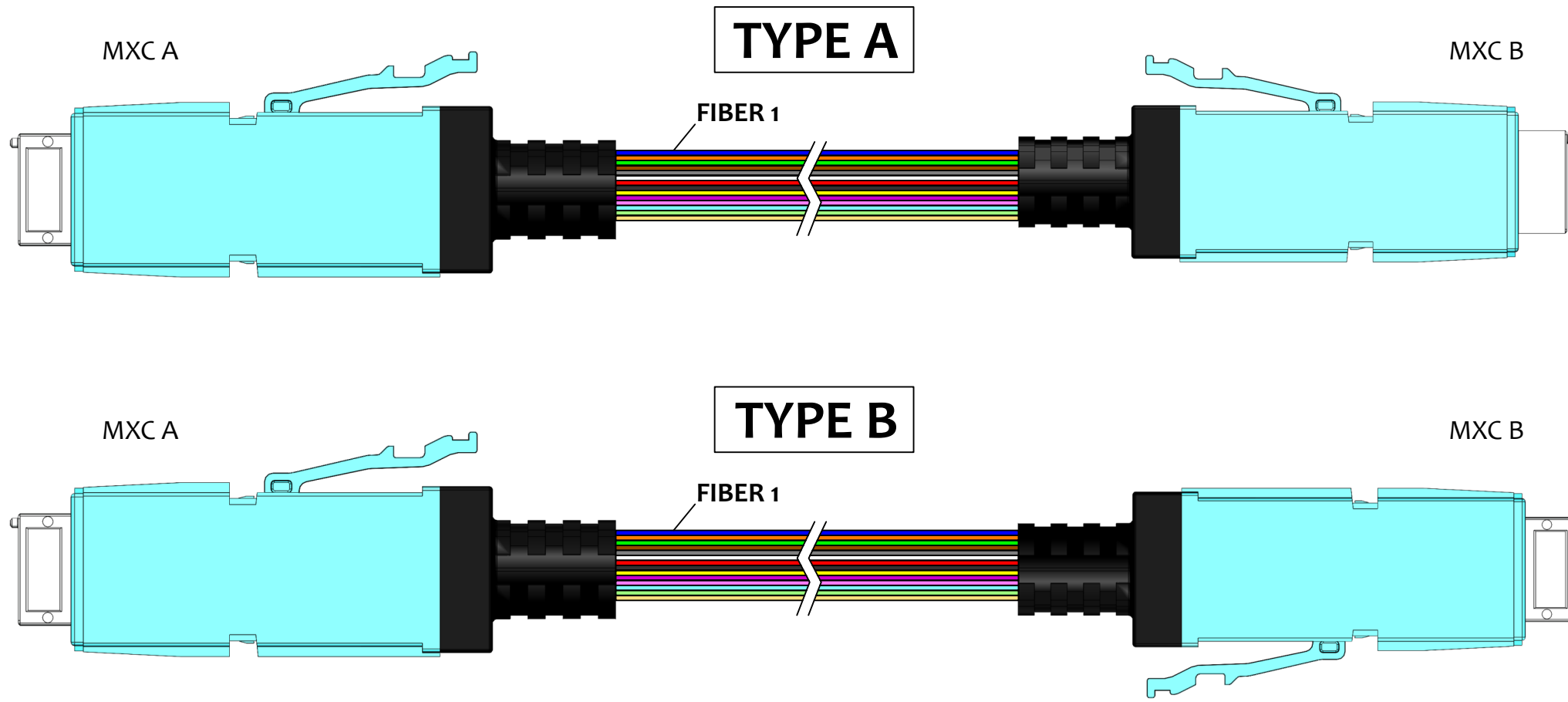
| CONNECTION TABLE | |
|------------------|-------|
| MXC A | MXC B |
| C33 | C48 |
| C34 | C47 |
| C35 | C46 |
| C36 | C45 |
| C37 | C44 |
| C38 | C43 |
| C39 | C42 |
| C40 | C41 |
| C41 | C40 |
| C42 | C39 |
| C43 | C38 |
| C44 | C37 |
| C45 | C36 |
| C46 | C35 |
| C47 | C34 |
| C48 | C33 |



| | | | | | |
|-------------------------------|---------|---|---|--------------------------------------|---------------------|
| REVISION-DATE: A - 01.10.2020 | CHANGE: | DRAWN BY, DATE: M.Ruzbarsky 2020/10/01 | TYPES OF POLARITIES FOR MXC 16 FIBER CABLE | | |
| New drawing | | CHECKED BY, DATE: Matus/Smel. 2020/10/01 | | | |
| REVISION-DATE: | CHANGE: | APPROVED BY, DATE: L.Miskerik 2020/10/01 | PRODUCT SPECIFICATION: QPN /SPEC. | DIMENSIONS IN MM UNLESS SPECIFIED | SCALE: NO SCALE |
| REVISION-DATE: | CHANGE: | | PRODUCT NUMBER: | DRAWING NUMBER: 1-W-8136_1_A | SHEET NO. 1 of 6 |
| | | | THIS DRAWING CONTAINS INFORMATION THAT IS PROPRIETARY TO SYLEX s.r.o AND SHOULD NOT BE USED WITHOUT WRITTEN PERMISSION | | SIZE A3 |

MXC® Plug PROTRUDED FERRULE - MXC® Plug PROTRUDED FERRULE

FOR OTHER COMBINATION PLEASE SEE NEXT PAGE

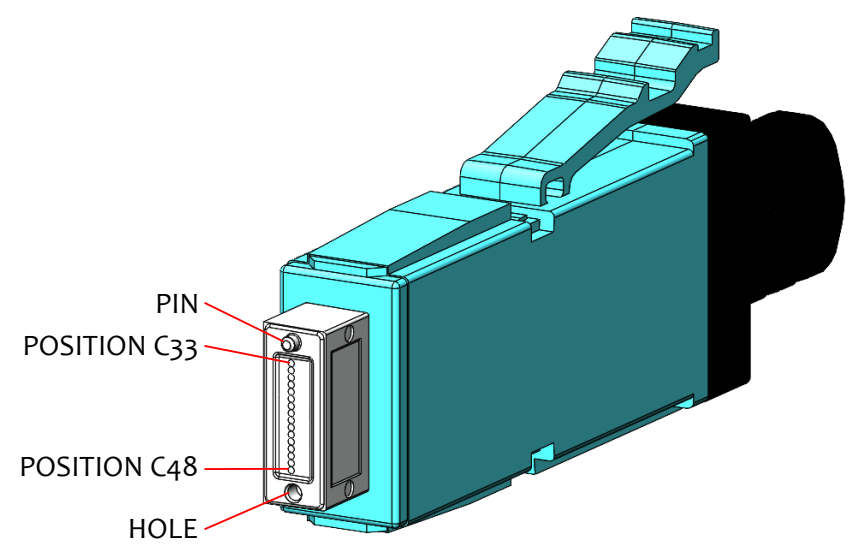


TYPE A

| CONNECTION TABLE | |
|------------------|-------|
| MXC A | MXC B |
| C33 | C33 |
| C34 | C34 |
| C35 | C35 |
| C36 | C36 |
| C37 | C37 |
| C38 | C38 |
| C39 | C39 |
| C40 | C40 |
| C41 | C41 |
| C42 | C42 |
| C43 | C43 |
| C44 | C44 |
| C45 | C45 |
| C46 | C46 |
| C47 | C47 |
| C48 | C48 |

TYPE B

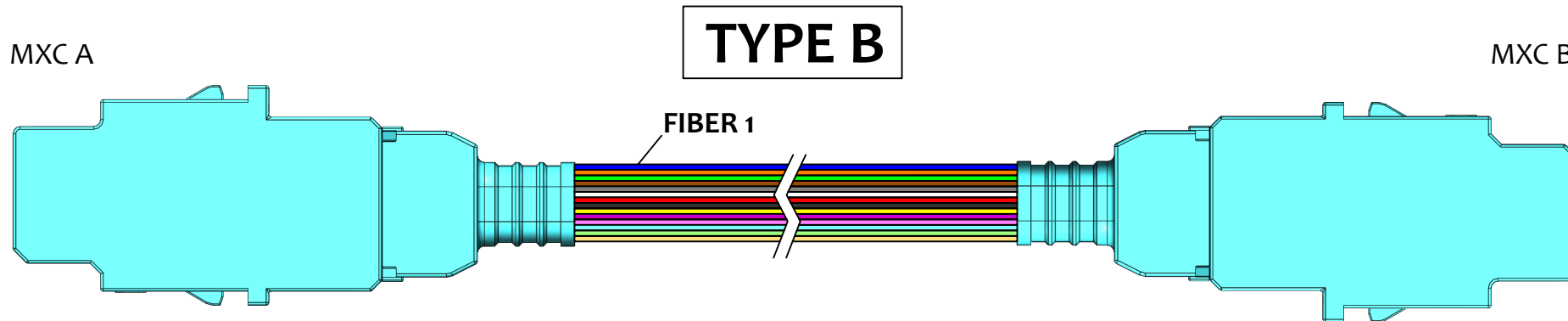
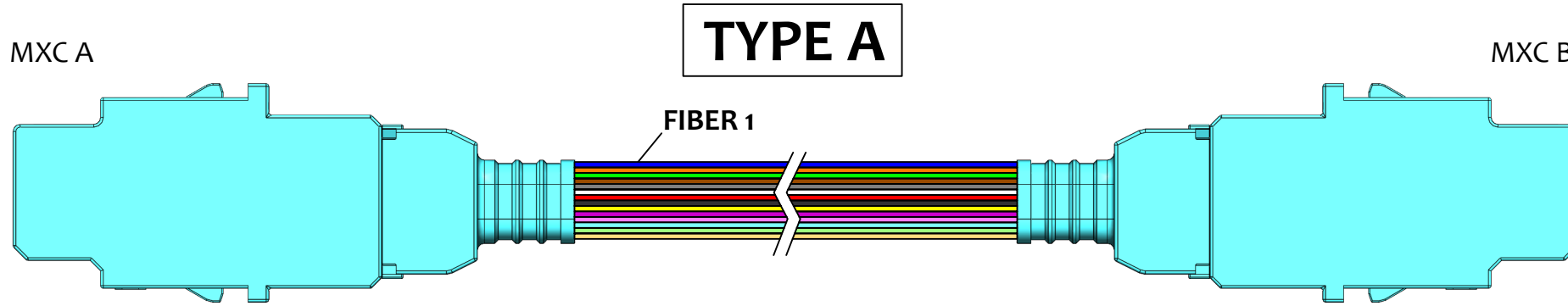
| CONNECTION TABLE | |
|------------------|-------|
| MXC A | MXC B |
| C33 | C48 |
| C34 | C47 |
| C35 | C46 |
| C36 | C45 |
| C37 | C44 |
| C38 | C43 |
| C39 | C42 |
| C40 | C41 |
| C41 | C40 |
| C42 | C39 |
| C43 | C38 |
| C44 | C37 |
| C45 | C36 |
| C46 | C35 |
| C47 | C34 |
| C48 | C33 |



| | | | | | |
|--|---------|---|---|-----------------------------------|---------------------|
| REVISION-DATE: A - 01.10.2020 New drawing | CHANGE: | DRAWN BY, DATE: M.Ruzbarsky 2020/10/01 | TYPES OF POLARITIES FOR MXC 16 FIBER CABLE | | |
| REVISION-DATE: | CHANGE: | CHECKED BY, DATE: Matus/Smel. 2020/10/01 | | | |
| REVISION-DATE: | CHANGE: | APPROVED BY, DATE: L.Miskerik 2020/10/01 | PRODUCT SPECIFICATION: QPN /SPEC. | DIMENSIONS IN MM UNLESS SPECIFIED | SCALE: NO SCALE |
| REVISION-DATE: | CHANGE: | | PRODUCT NUMBER: | DRAWING NUMBER: 1-W-8136_2_A | SHEET NO. 2 of 6 |
| THIS DRAWING CONTAINS INFORMATION THAT IS PROPRIETARY TO SYLEX s.r.o AND SHOULD NOT BE USED WITHOUT WRITTEN PERMISSION | | | | | SIZE A3 |

MXC® Receptacle - MXC® Receptacle

FOR OTHER COMBINATION PLEASE SEE NEXT PAGE

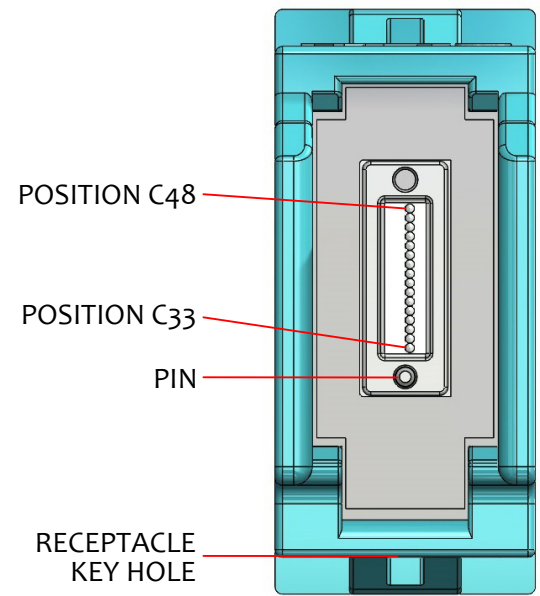


TYPE A

| CONNECTION TABLE | |
|------------------|-------|
| MXC A | MXC B |
| C33 | C33 |
| C34 | C34 |
| C35 | C35 |
| C36 | C36 |
| C37 | C37 |
| C38 | C38 |
| C39 | C39 |
| C40 | C40 |
| C41 | C41 |
| C42 | C42 |
| C43 | C43 |
| C44 | C44 |
| C45 | C45 |
| C46 | C46 |
| C47 | C47 |
| C48 | C48 |

TYPE B

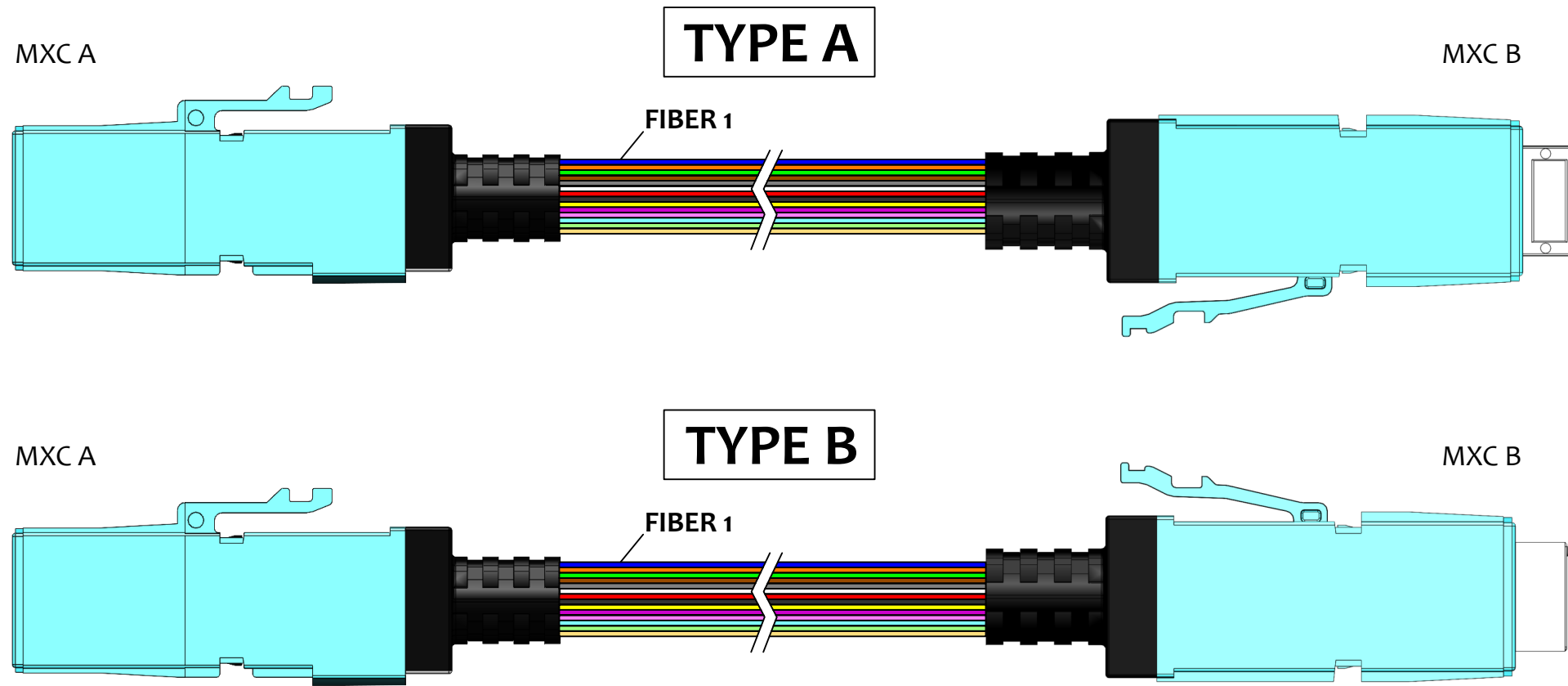
| CONNECTION TABLE | |
|------------------|-------|
| MXC A | MXC B |
| C33 | C48 |
| C34 | C47 |
| C35 | C46 |
| C36 | C45 |
| C37 | C44 |
| C38 | C43 |
| C39 | C42 |
| C40 | C41 |
| C41 | C40 |
| C42 | C39 |
| C43 | C38 |
| C44 | C37 |
| C45 | C36 |
| C46 | C35 |
| C47 | C34 |
| C48 | C33 |



| | | | |
|--|--|--|---|
| REVISION-DATE: A - 01.10.2020 New drawing | CHANGE: DRAWN BY, DATE: M.Ruzbarsky 2020/10/01 | TITLES: TYPES OF POLARITIES FOR MXC 16 FIBER CABLE | |
| REVISION-DATE: CHANGE: | CHECKED BY, DATE: Matus/Smel. 2020/10/01 | APPROVED BY, DATE: L.Miskerik 2020/10/01 | PRODUCT SPECIFICATION: QPN /SPEC. |
| REVISION-DATE: CHANGE: | PRODUCT NUMBER: | DIMENSIONS IN MM UNLESS SPECIFIED DRAWING NUMBER: 1-W-8136_3_A | SCALE: NO SCALE SHEET NO. 3 of 6 |
| THIS DRAWING CONTAINS INFORMATION THAT IS PROPRIETARY TO SYLEX s.r.o AND SHOULD NOT BE USED WITHOUT WRITTEN PERMISSION | | | SIZE A3 |

MXC® Plug RECESSED FERRULE - MXC® Plug PROTRUDED FERRULE

FOR OTHER COMBINATION PLEASE SEE NEXT PAGE



TYPE A

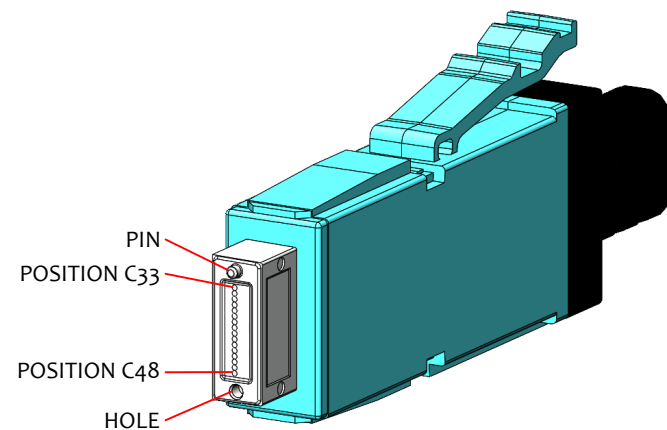
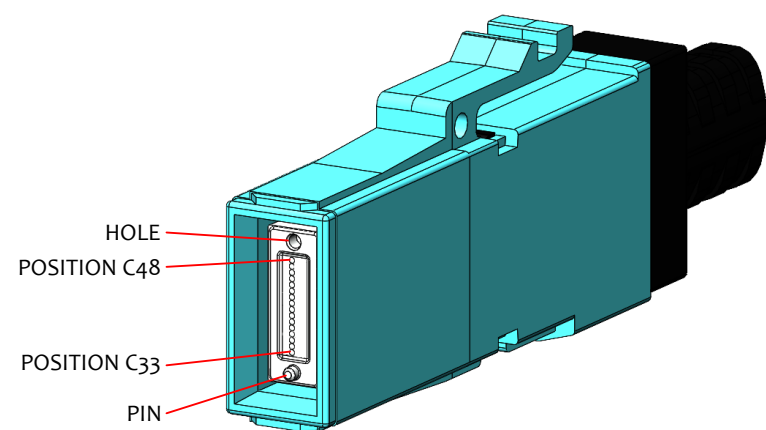
| CONNECTION TABLE | |
|------------------|-------|
| MXC A | MXC B |
| C33 | C33 |
| C34 | C34 |
| C35 | C35 |
| C36 | C36 |
| C37 | C37 |
| C38 | C38 |
| C39 | C39 |
| C40 | C40 |
| C41 | C41 |
| C42 | C42 |
| C43 | C43 |
| C44 | C44 |
| C45 | C45 |
| C46 | C46 |
| C47 | C47 |
| C48 | C48 |

TYPE B

| CONNECTION TABLE | |
|------------------|-------|
| MXC A | MXC B |
| C33 | C48 |
| C34 | C47 |
| C35 | C46 |
| C36 | C45 |
| C37 | C44 |
| C38 | C43 |
| C39 | C42 |
| C40 | C41 |
| C41 | C40 |
| C42 | C39 |
| C43 | C38 |
| C44 | C37 |
| C45 | C36 |
| C46 | C35 |
| C47 | C34 |
| C48 | C33 |

MXC® Plug RECESSED FERRULE

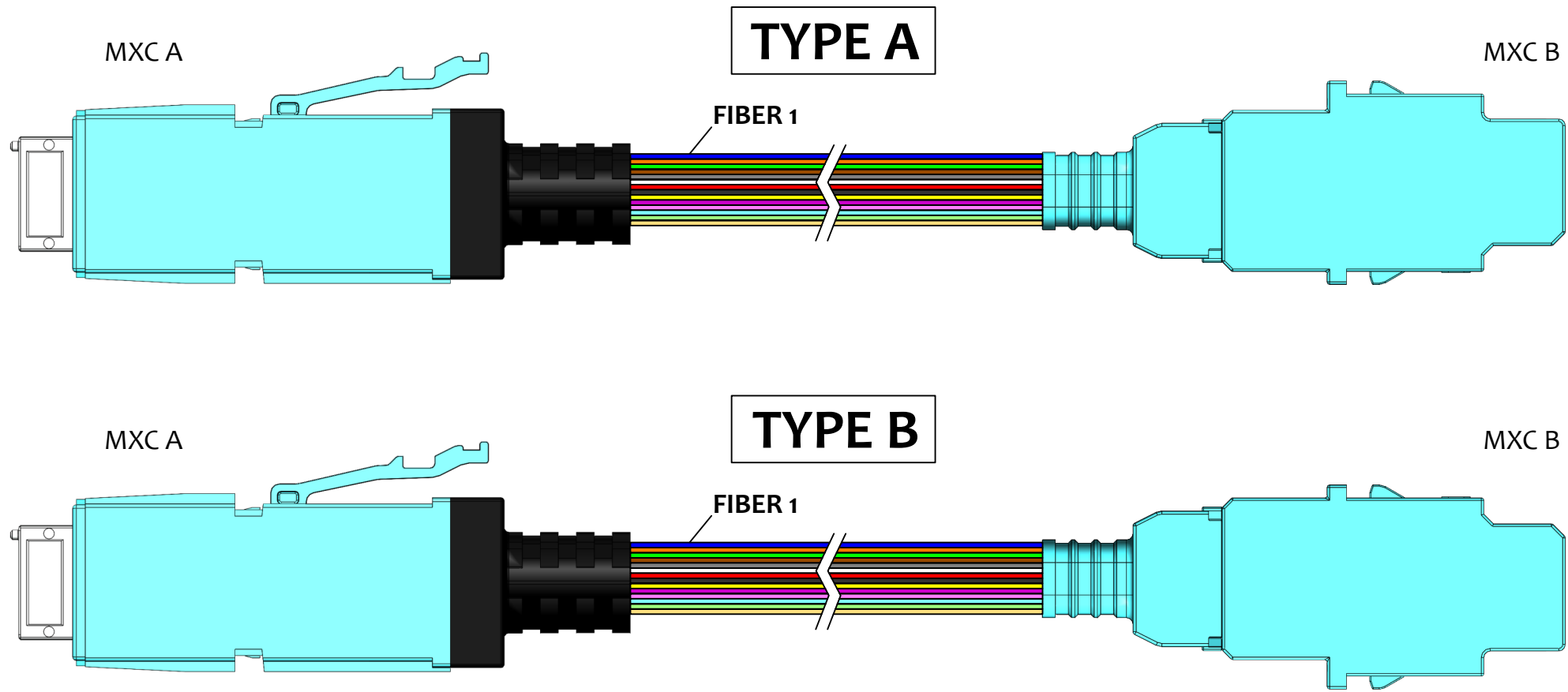
MXC® Plug PROTRUDED FERRULE



| | | | | | |
|---|---------|---|---|--------------------------------------|---------------------|
| REVISION-DATE: A - 01.10.2020 | CHANGE: | DRAWN BY, DATE: M.Ruzbarsky 2020/10/01 | TYPES OF POLARITIES FOR MXC 16 FIBER CABLE | | |
| New drawing | | CHECKED BY, DATE: Matus/Smel. 2020/10/01 | | | |
| REVISION-DATE: | CHANGE: | APPROVED BY, DATE: L.Miskerik 2020/10/01 | PRODUCT SPECIFICATION: QPN /SPEC. | DIMENSIONS IN MM UNLESS SPECIFIED | SCALE: NO SCALE |
| REVISION-DATE: | CHANGE: | B | PRODUCT NUMBER: | DRAWING NUMBER: 1-W-8136_4_A | SHEET NO. 4 of 6 |
| THIS DRAWING CONTAINS INFORMATION THAT IS PROPRIETARY TO SYLEX s.r.o AND SHOULD NOT BE USED WITHOUT WRITTEN PERMISSION | | | SIZE A3 | | |

MXC® Plug PROTRUDED FERRULE - MXC® Receptacle

FOR OTHER COMBINATION PLEASE SEE NEXT PAGE



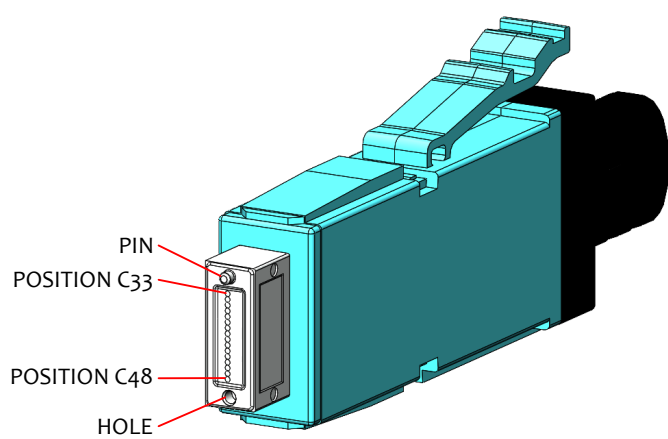
TYPE A

| CONNECTION TABLE | |
|------------------|-------|
| MXC A | MXC B |
| C33 | C33 |
| C34 | C34 |
| C35 | C35 |
| C36 | C36 |
| C37 | C37 |
| C38 | C38 |
| C39 | C39 |
| C40 | C40 |
| C41 | C41 |
| C42 | C42 |
| C43 | C43 |
| C44 | C44 |
| C45 | C45 |
| C46 | C46 |
| C47 | C47 |
| C48 | C48 |

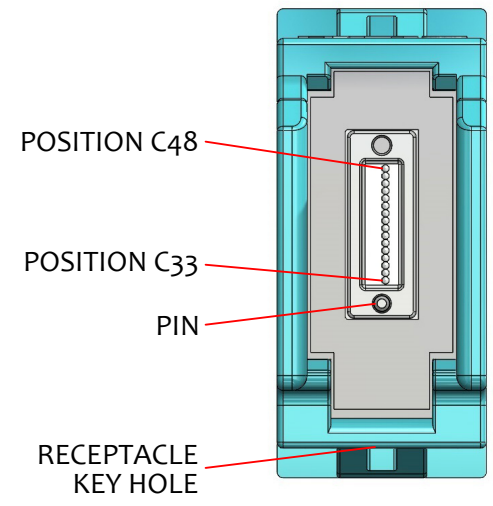
TYPE B

| CONNECTION TABLE | |
|------------------|-------|
| MXC A | MXC B |
| C33 | C48 |
| C34 | C47 |
| C35 | C46 |
| C36 | C45 |
| C37 | C44 |
| C38 | C43 |
| C39 | C42 |
| C40 | C41 |
| C41 | C40 |
| C42 | C39 |
| C43 | C38 |
| C44 | C37 |
| C45 | C36 |
| C46 | C35 |
| C47 | C34 |
| C48 | C33 |

MXC® Plug PROTRUDED FERRULE



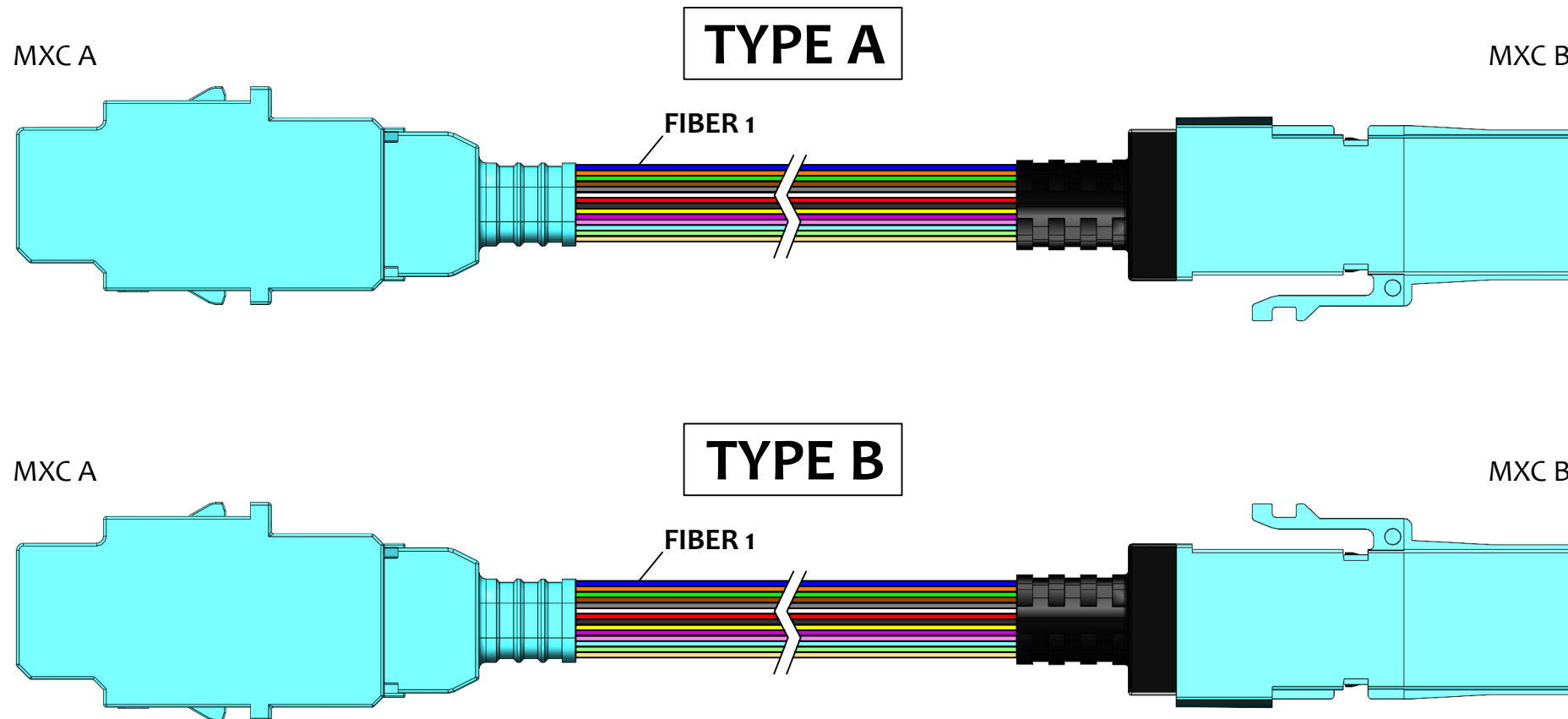
MXC® Receptacle



| | | | | | |
|-------------------------------|---------|---|---|--------------------------------------|---------------------|
| REVISION-DATE: A - 01.10.2020 | CHANGE: | DRAWN BY, DATE: M.Ruzbarsky 2020/10/01 | TYPES OF POLARITIES FOR MXC 16 FIBER CABLE | | |
| New drawing | | CHECKED BY, DATE: Matus/Smel. 2020/10/01 | | | |
| REVISION-DATE: | CHANGE: | APPROVED BY, DATE: L.Miskerik 2020/10/01 | PRODUCT SPECIFICATION: QPN /SPEC. | DIMENSIONS IN MM UNLESS SPECIFIED | SCALE: NO SCALE |
| REVISION-DATE: | CHANGE: | | PRODUCT NUMBER: | DRAWING NUMBER: 1-W-8136_5_A | SHEET NO. 5 of 6 |
| | | | THIS DRAWING CONTAINS INFORMATION THAT IS PROPRIETARY TO SYLEX s.r.o AND SHOULD NOT BE USED WITHOUT WRITTEN PERMISSION | | SIZE A3 |

MXC® Receptacle - MXC® Plug RECESSED FERRULE

FOR OTHER COMBINATION PLEASE SEE NEXT PAGE



TYPE A

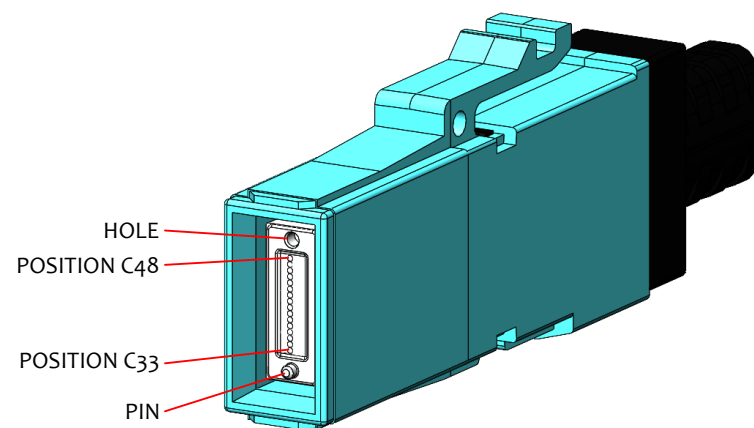
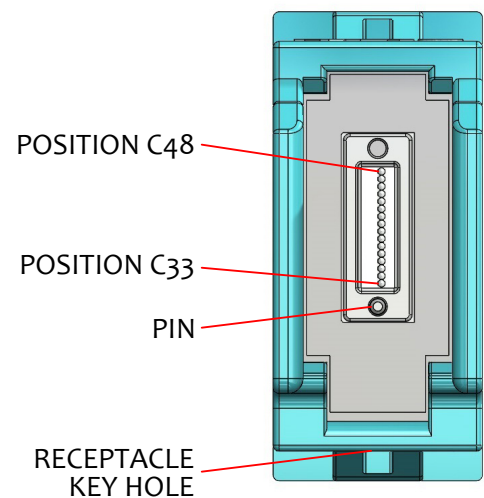
| CONNECTION TABLE | |
|------------------|-------|
| MXC A | MXC B |
| C33 | C33 |
| C34 | C34 |
| C35 | C35 |
| C36 | C36 |
| C37 | C37 |
| C38 | C38 |
| C39 | C39 |
| C40 | C40 |
| C41 | C41 |
| C42 | C42 |
| C43 | C43 |
| C44 | C44 |
| C45 | C45 |
| C46 | C46 |
| C47 | C47 |
| C48 | C48 |

TYPE B

| CONNECTION TABLE | |
|------------------|-------|
| MXC A | MXC B |
| C33 | C48 |
| C34 | C47 |
| C35 | C46 |
| C36 | C45 |
| C37 | C44 |
| C38 | C43 |
| C39 | C42 |
| C40 | C41 |
| C41 | C40 |
| C42 | C39 |
| C43 | C38 |
| C44 | C37 |
| C45 | C36 |
| C46 | C35 |
| C47 | C34 |
| C48 | C33 |

MXC® Receptacle

MXC® Plug RECESSED FERRULE



| | | | | | |
|--|---------|--|--|-----------------------------------|------------------|
| REVISION-DATE: A - 01.10.2020 | CHANGE: | DRAWN BY, DATE: M.Ruzbarsky 2020/10/01 | TITLE: TYPES OF POLARITIES FOR MXC 16 FIBER CABLE | | |
| New drawing | | CHECKED BY, DATE: Matus/Smel. 2020/10/01 | | | |
| REVISION-DATE: | CHANGE: | APPROVED BY, DATE: L.Miskerik 2020/10/01 | PRODUCT SPECIFICATION: QPN /SPEC. | DIMENSIONS IN MM UNLESS SPECIFIED | SCALE: NO SCALE |
| REVISION-DATE: | CHANGE: | | PRODUCT NUMBER: | DRAWING NUMBER: 1-W-8136_6_A | SHEET NO. 6 of 6 |
| THIS DRAWING CONTAINS INFORMATION THAT IS PROPRIETARY TO SYLEX s.r.o AND SHOULD NOT BE USED WITHOUT WRITTEN PERMISSION | | | | | SIZE A3 |