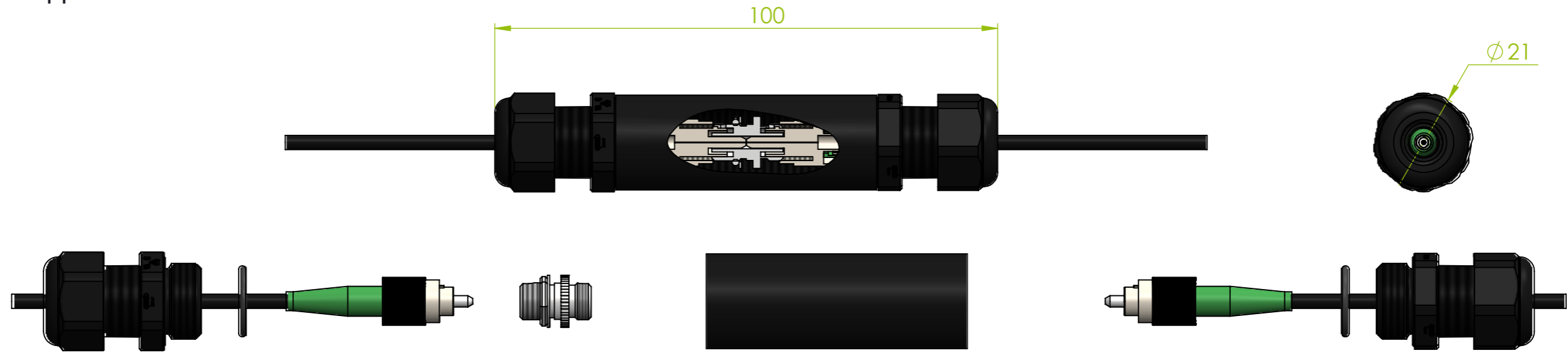
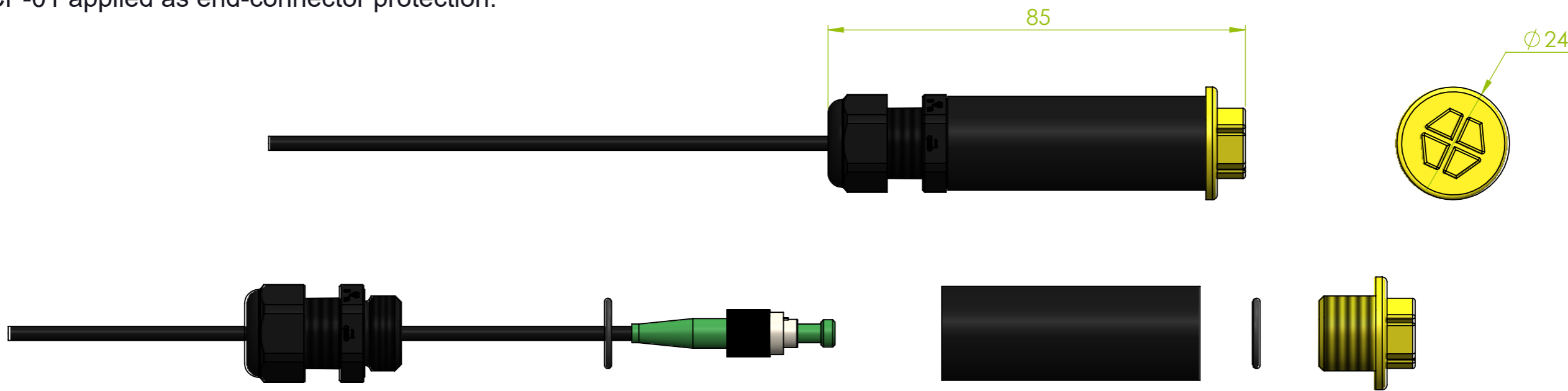


Standard version:


- WCP-01 applied as connector connection:



- WCP-01 applied as end-connector protection:



WCP-01 must be installed during connector termination.
It is not possible to put it on afterwards.

TITLE: WCP-01 Watertight connector protection FC/APC			
REVISION: A	SCALE: 1:1	DRAWN BY, DATE: Správce systému 20.04.2021	
	STATUS: In Work	CHECKED BY, DATE: Branislav Pikus 24.03.2021	
	DIMENSIONS IN MM (UNLESS SPECIFIED)	APPROVED BY, DATE: Tomáš Salát 24.03.2021	
NAME OF CAD FILE: WCP-01 WEB		PRODUCT NUMBER: F-COX-WCP-01x-xxx/xx/	DRAWING NUMBER: WCP-01 WEB
THIS DRAWING CONTAINS INFORMATION THAT IS PROPERTY OF SYLEX s.r.o AND SHOULD NOT BE USED WITHOUT WRITTEN PERMISSION			SHEET No: 1 of 1 SIZE A3