

TOP VIEW

443

SIDE VIEW

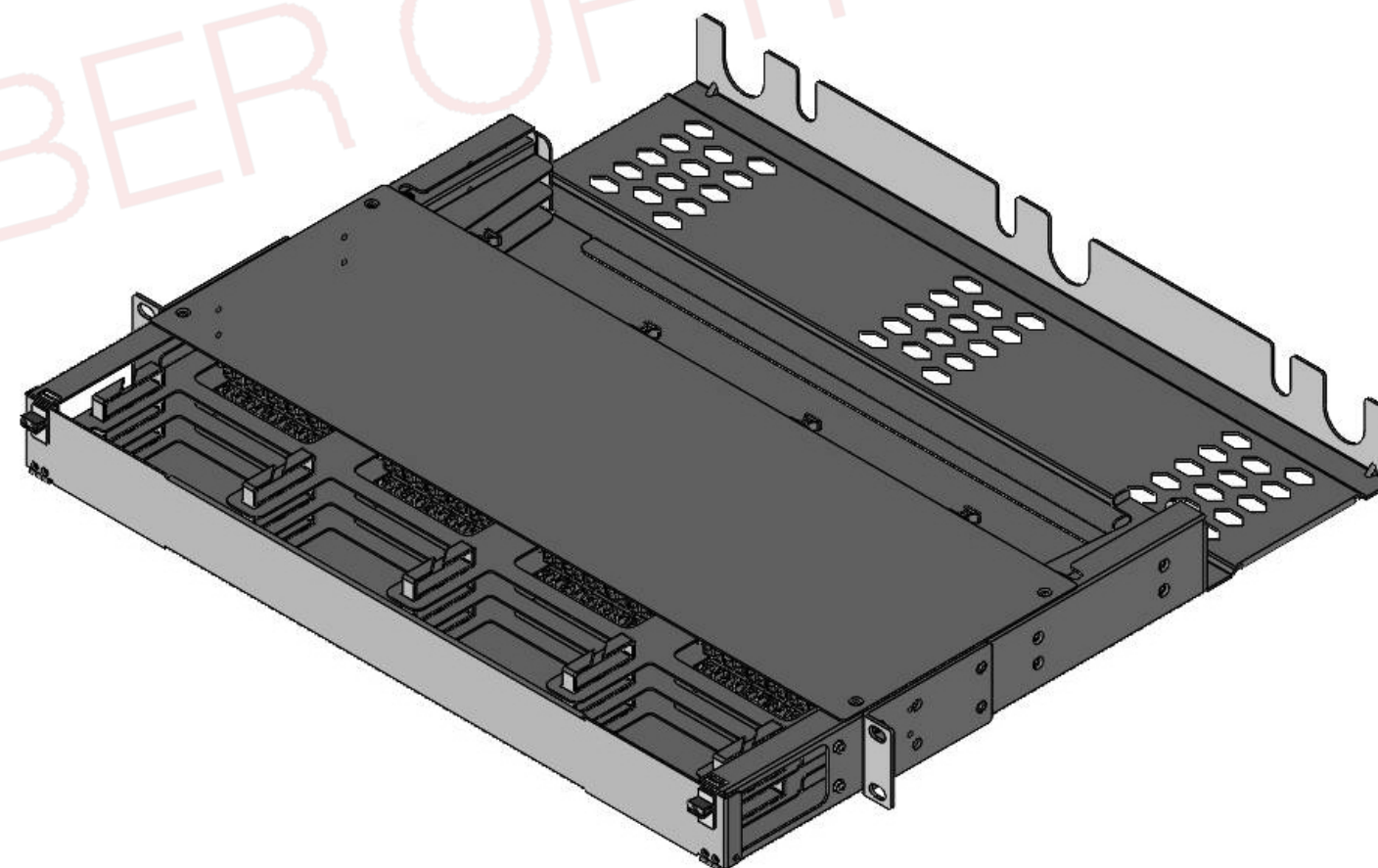
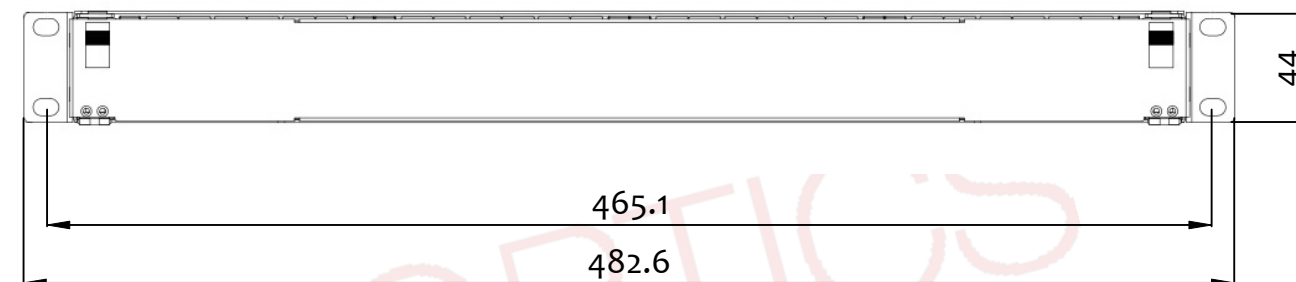
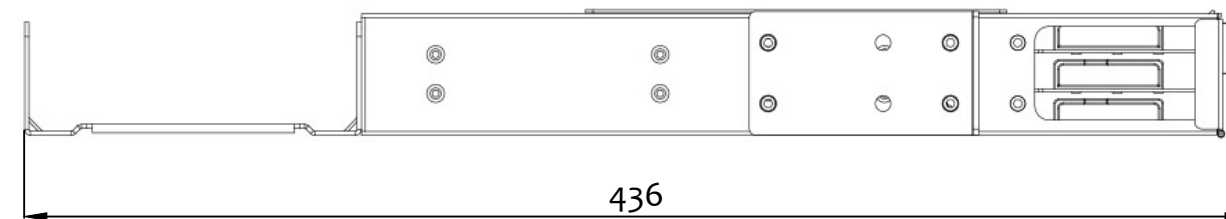
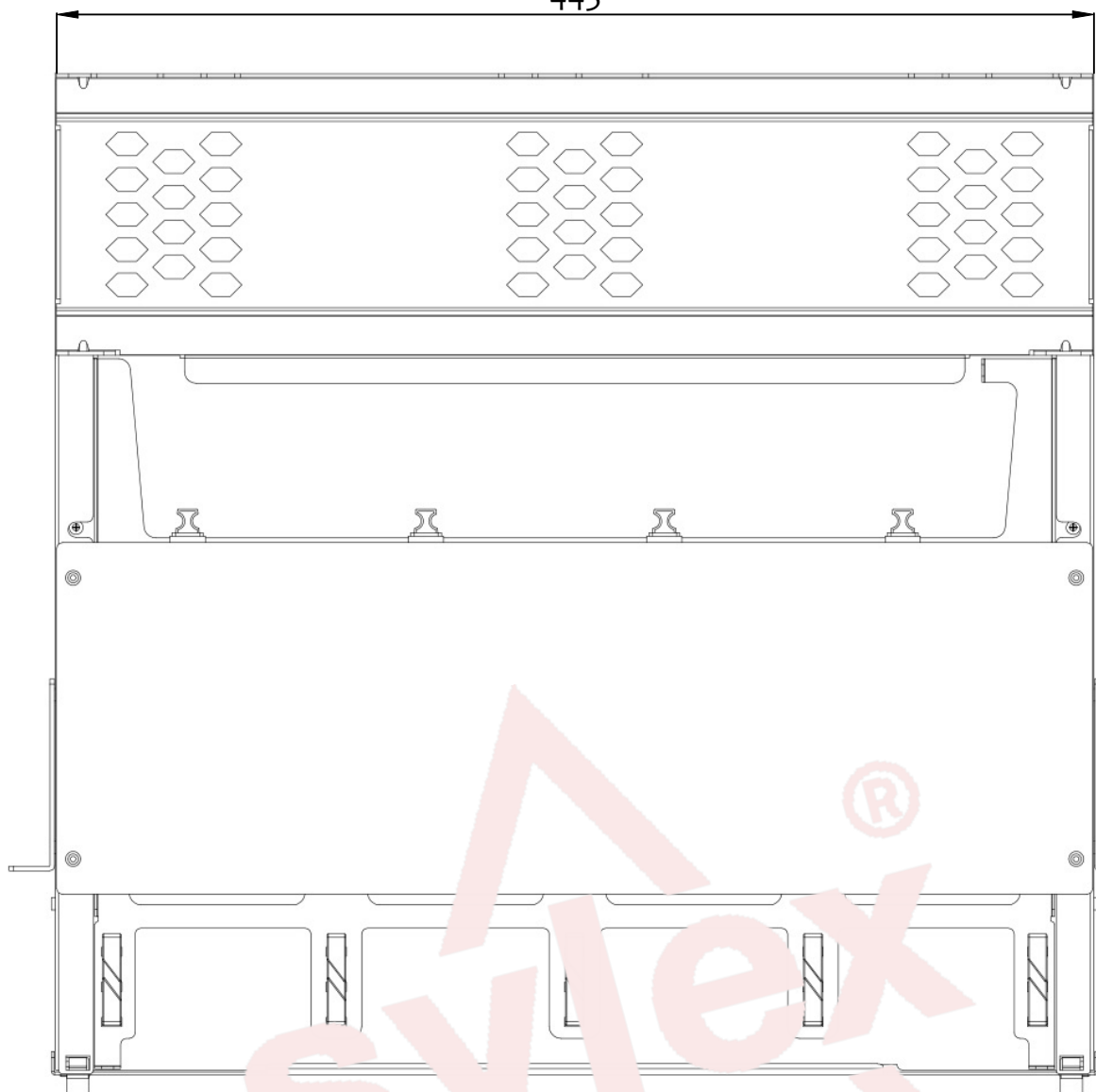
436

FRONT VIEW

465.1

482.6

44



ORDERING CODE

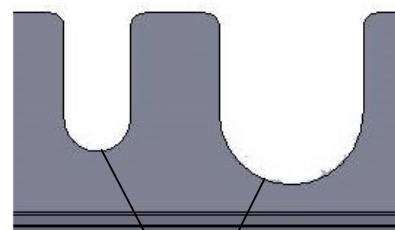
E1HD-V12-BLH

V12 12x Vertex module

1HD 1U HD box

E HD PANEL SYSTEM

BACK CUT OUT VIEW



SEE INSTUCTION MANUAL FOR CUT-OUT SIZES

NOTES:

- 1 - Each patchpanel is equipped with:
12x cable tie 1.7x70mm
12x velcro tie 20x100mm
- 2 - INSTALLATION MANUAL LC PATCHCORD FRONT PATCHING: [IG-FOI-009](#)
- 3 - INSTALLATION MANUAL MTP TRUNK BACK PATCHING: [IG-FOI-008](#)
- 4- INSTALLATION MANUAL LC TRUNK BACK PATCHING: [IG-FOI-010](#)

REVISION-DATE: A - xx.03.2021	CHANGE:	DRAWN BY, DATE: P. Gasapr 2021/03/xx	TITLE: VERTEX 1U 19" High-density panel 12 MODULE CAPACITY		
NEW DRAWING		CHECKED BY, DATE: L. Miskerik	PRODUCT SPECIFICATION: -	DIMENSIONS IN MM UNLESS SPECIFIED	SCALE: NO SCALE
REVISION-DATE:	CHANGE:	APPROVED BY, DATE: Matus/Smelh.	PRODUCT NUMBER: E1HD-V12-BLH	DRAWING NUMBER: 1-W-8375_1_A	SHEET NO. 1 of 1
REVISION-DATE:	CHANGE:	A			SIZE A3